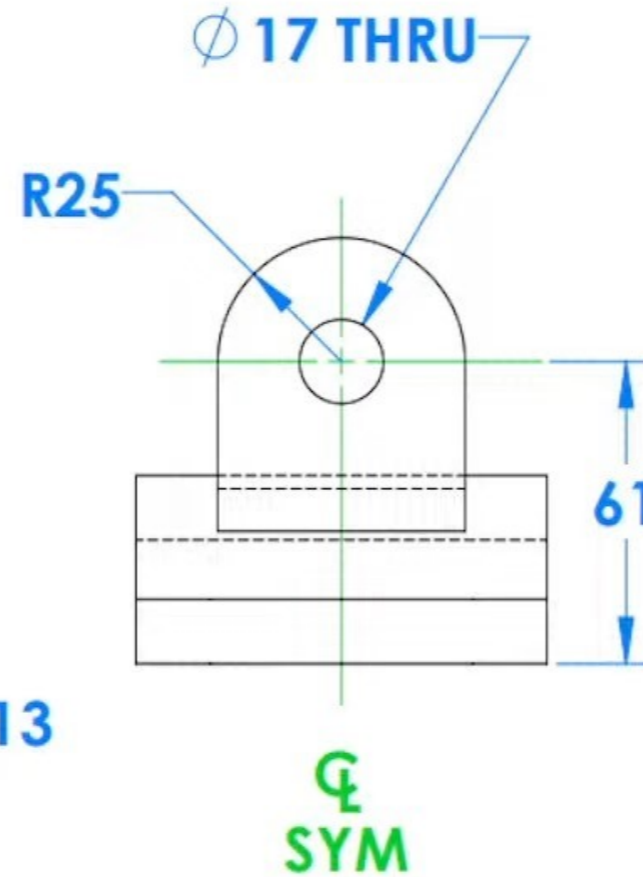
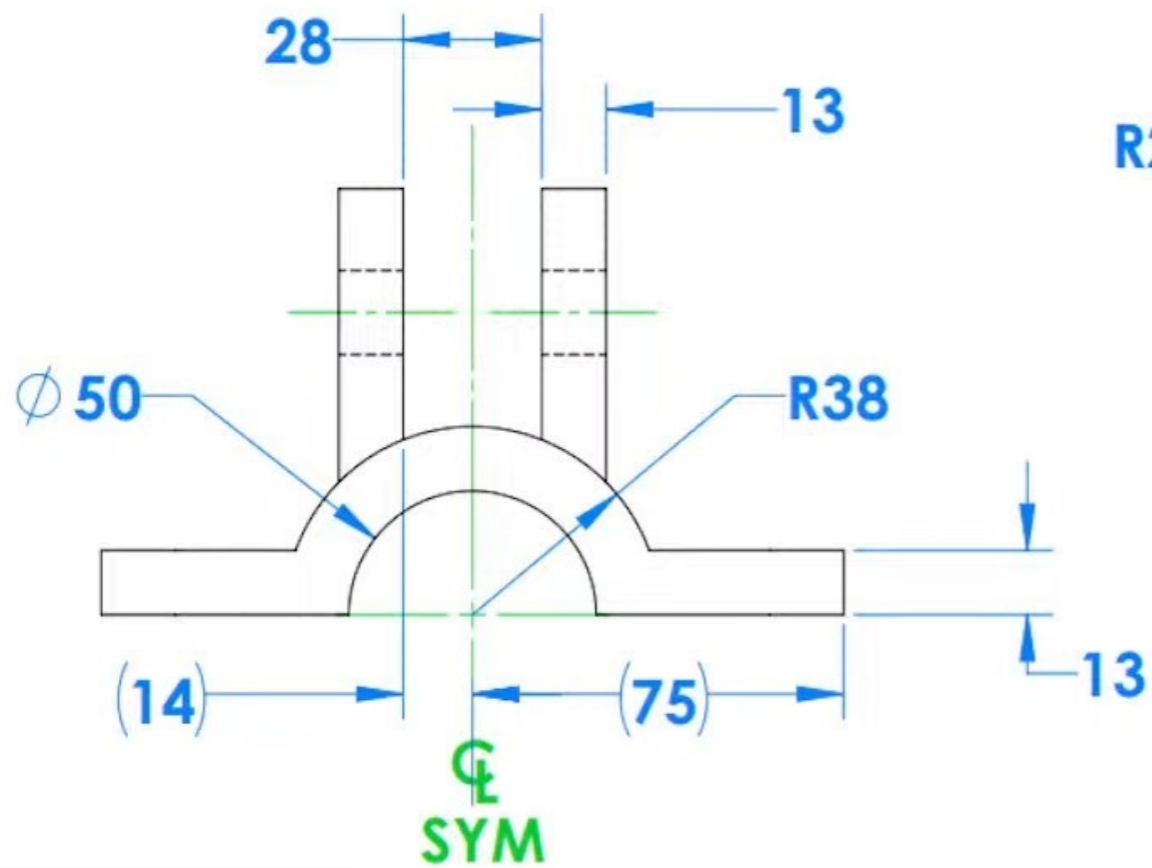
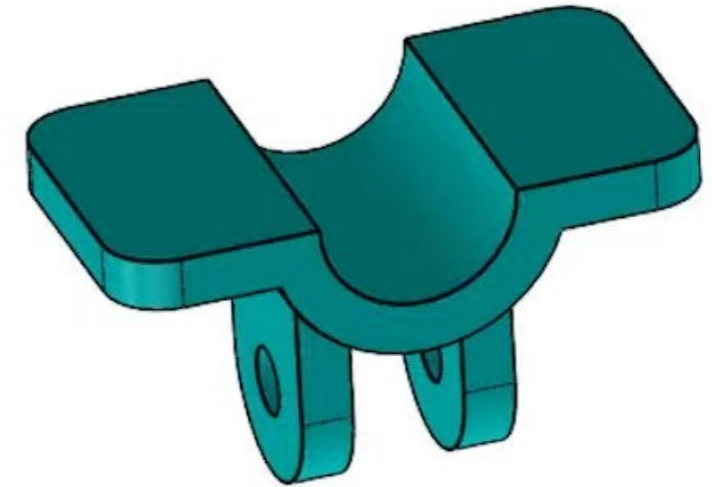
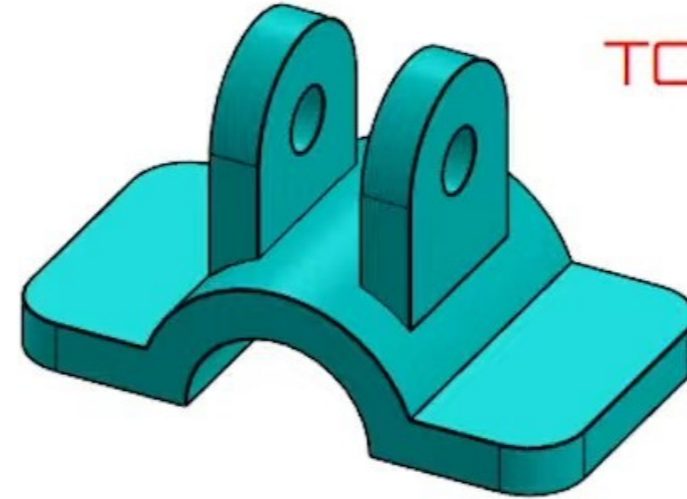
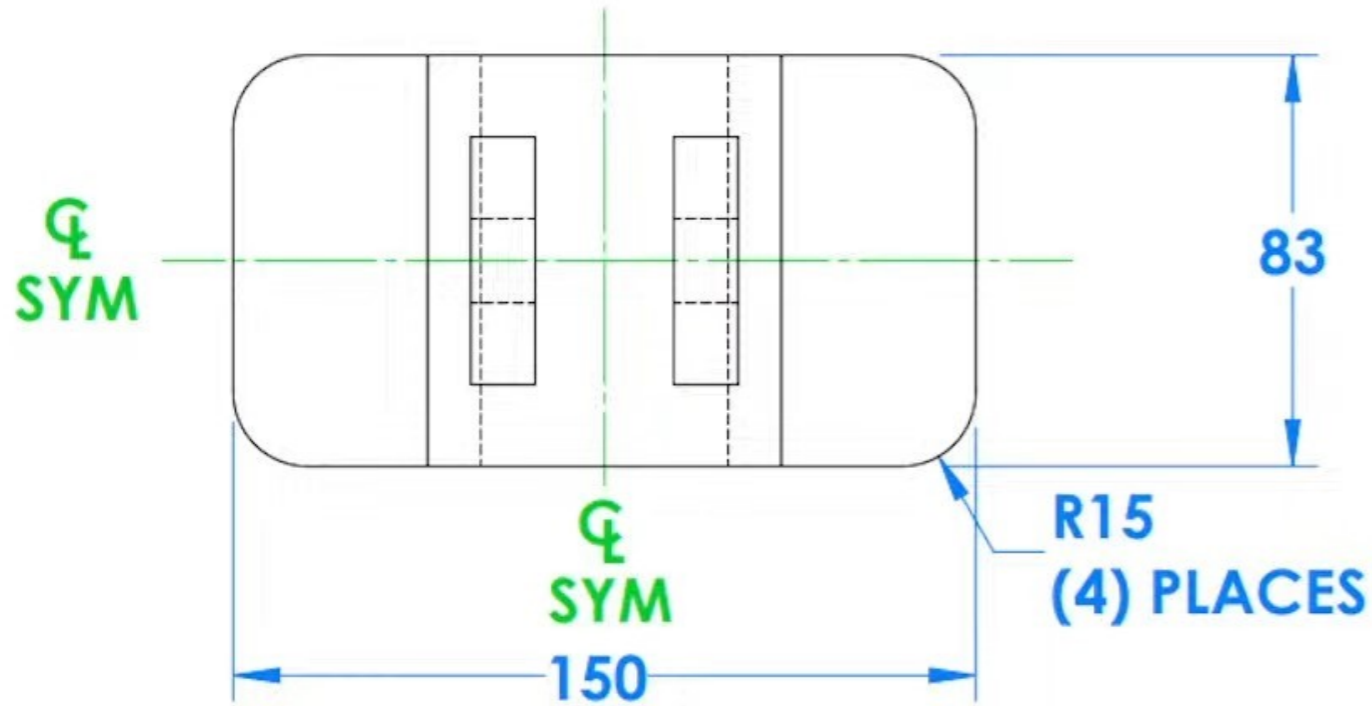


What is the MASS of this part in

1899 g

TOLERANCE ± 1 g



TOO TALL TOBY'S
WORLD CHAMPIONSHIP
OF 3D CAD SPEEDMODELING

UNIT SYSTEM:	MMGS
MATERIAL:	PLAIN CARBON STEEL
DENSITY:	7800 kg/m ³

23-T-01-HALF CLAMP