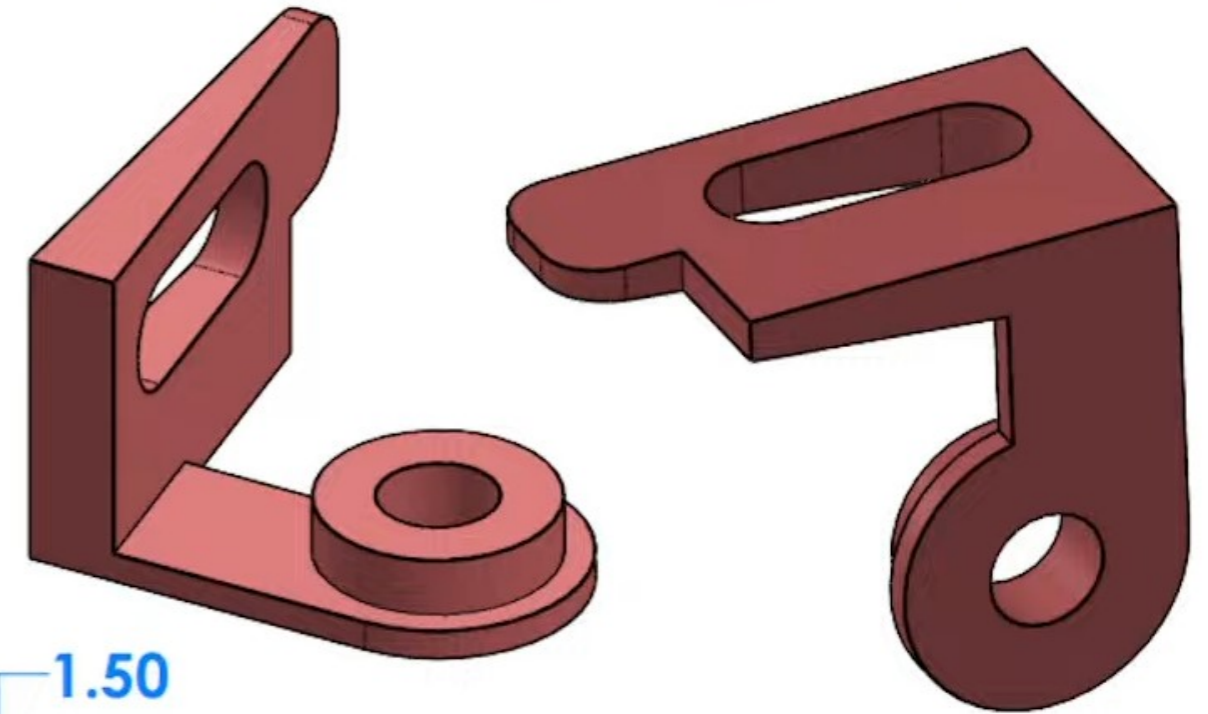
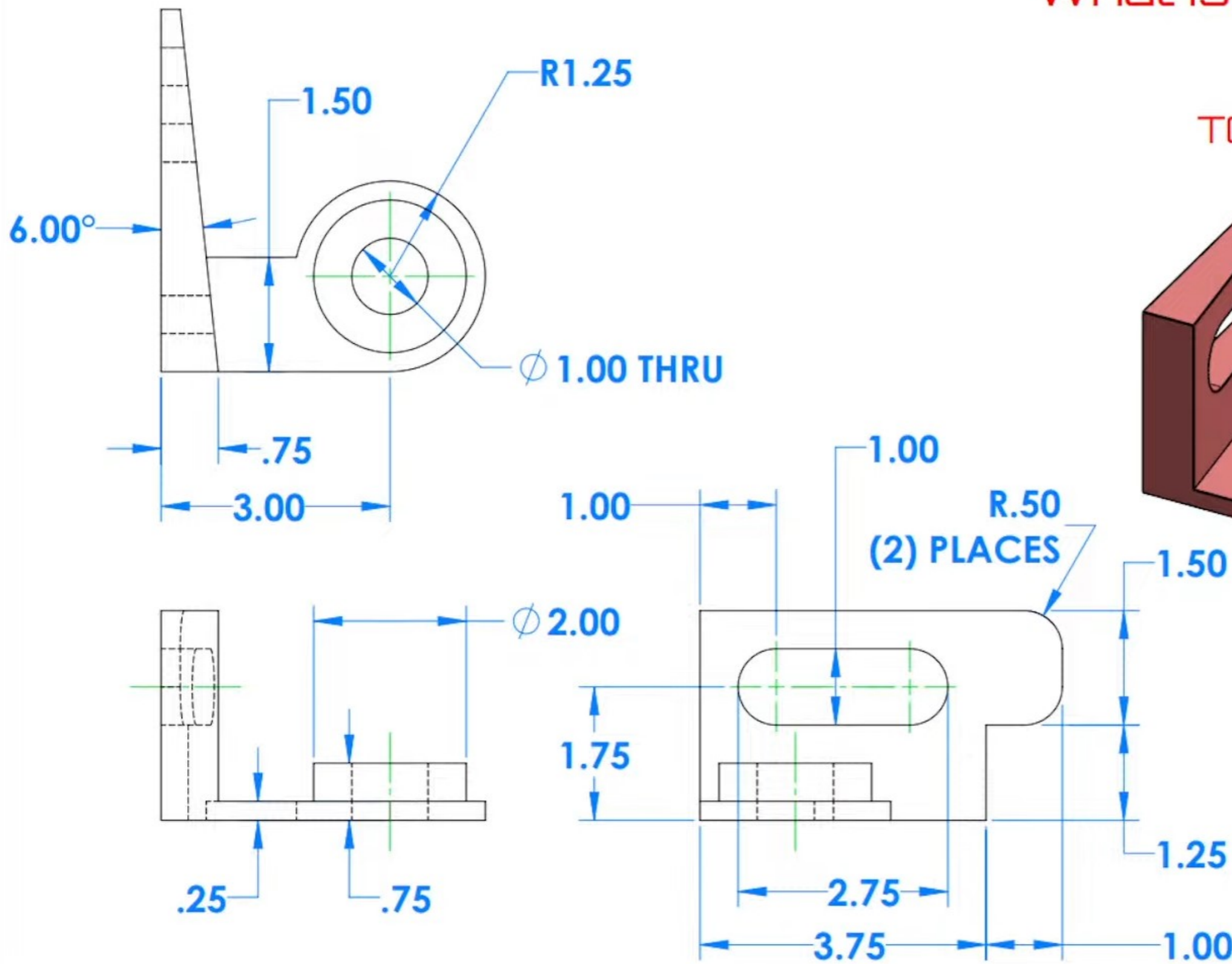


What is the MASS of this part in  
0.724 lbs

TOLERANCE  $\pm 0.0001$  lbs



TOO TALL TOBY'S  
WORLD CHAMPIONSHIP  
OF 3D CAD SPEEDMODELING

UNIT SYSTEM:	IPS
MATERIAL:	1060 Alum Alloy
DENSITY:	2700 kg/m <sup>3</sup>

23-T-02-HINGE MOUNT