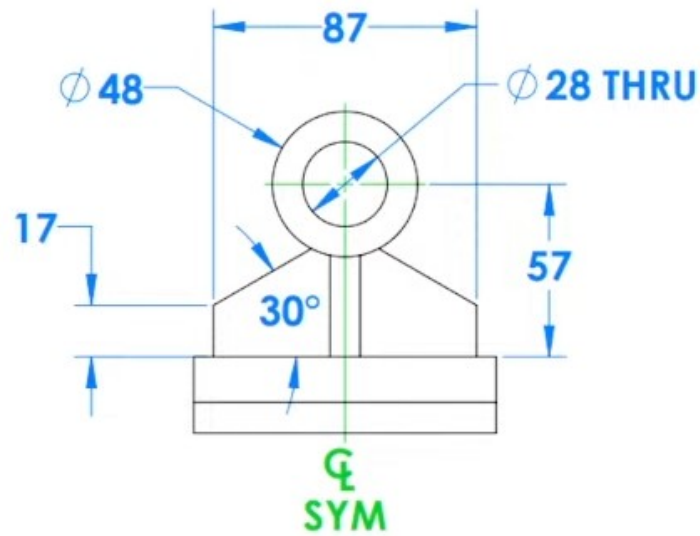
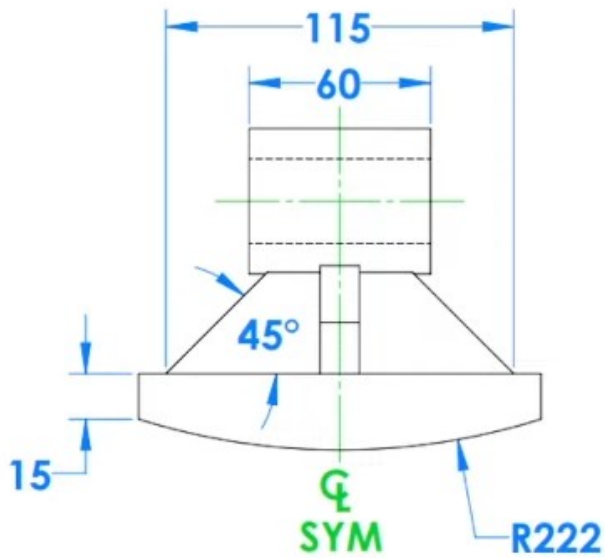
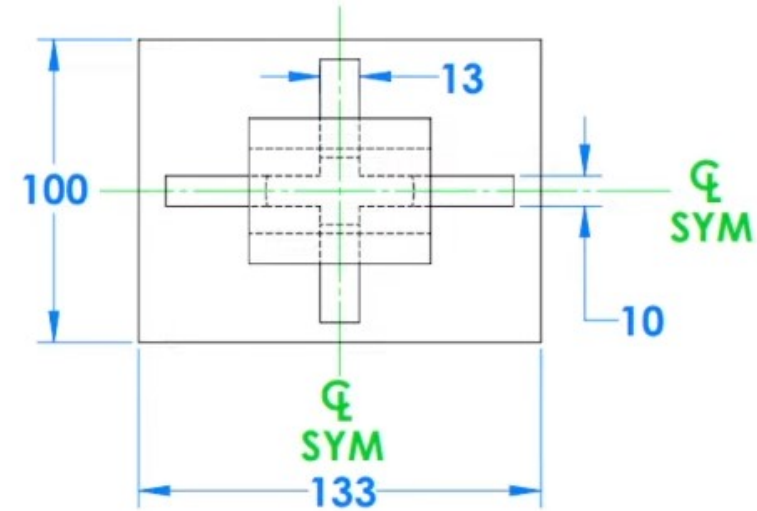
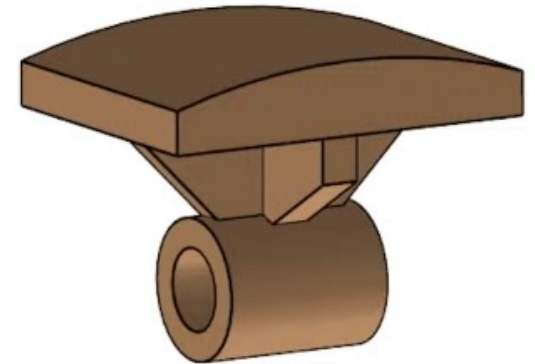
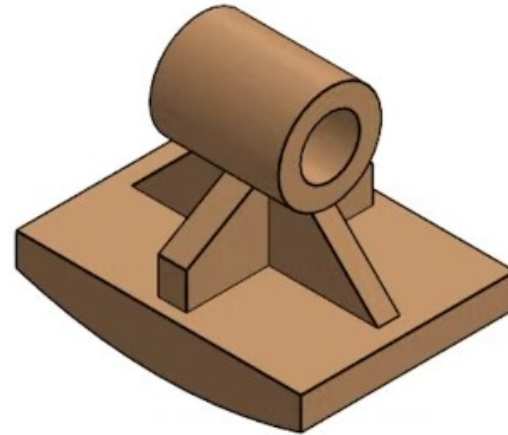


What is the MASS of this part in  
425 g

TOLERANCE  $\pm 1$  g



TOO TALL TOEYS  
WORLD CHAMPIONSHIP  
3D CAD SPEEDMODELING

|              |                        |
|--------------|------------------------|
| UNIT SYSTEM: | MMGS                   |
| MATERIAL:    | ABS                    |
| DENSITY:     | 1020 kg/m <sup>3</sup> |

23-T-03-CURVED EYELET