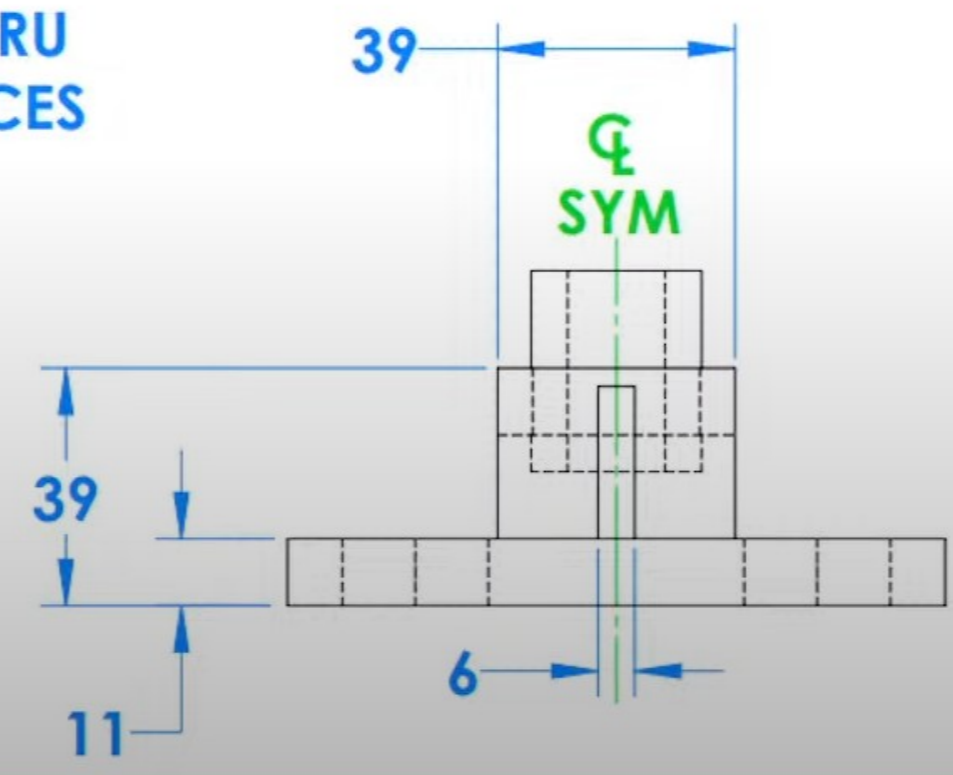
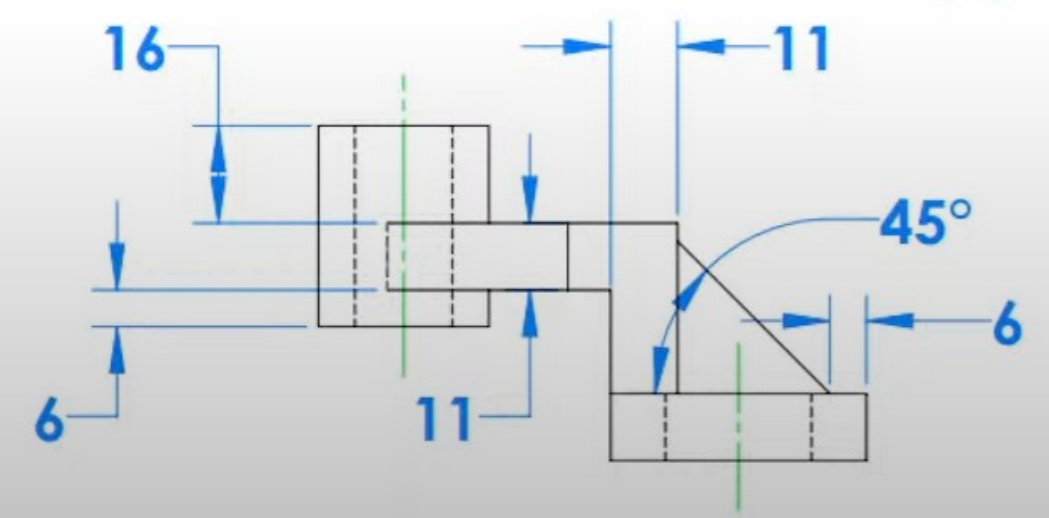
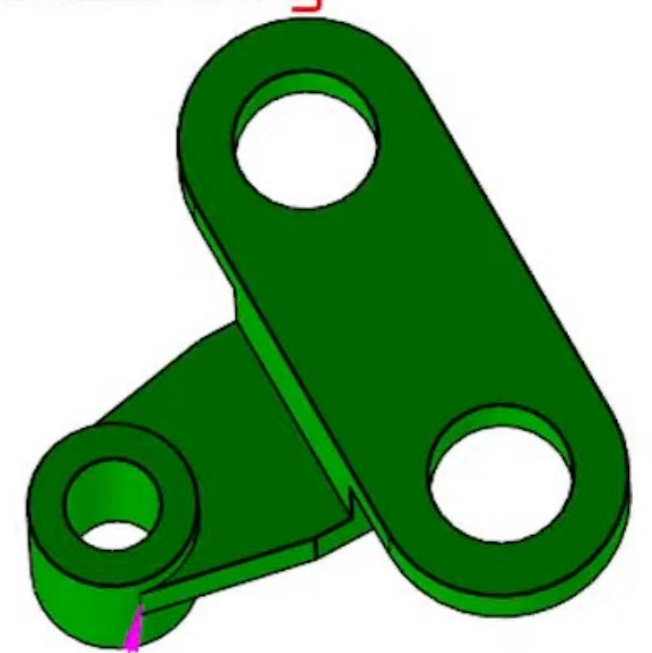
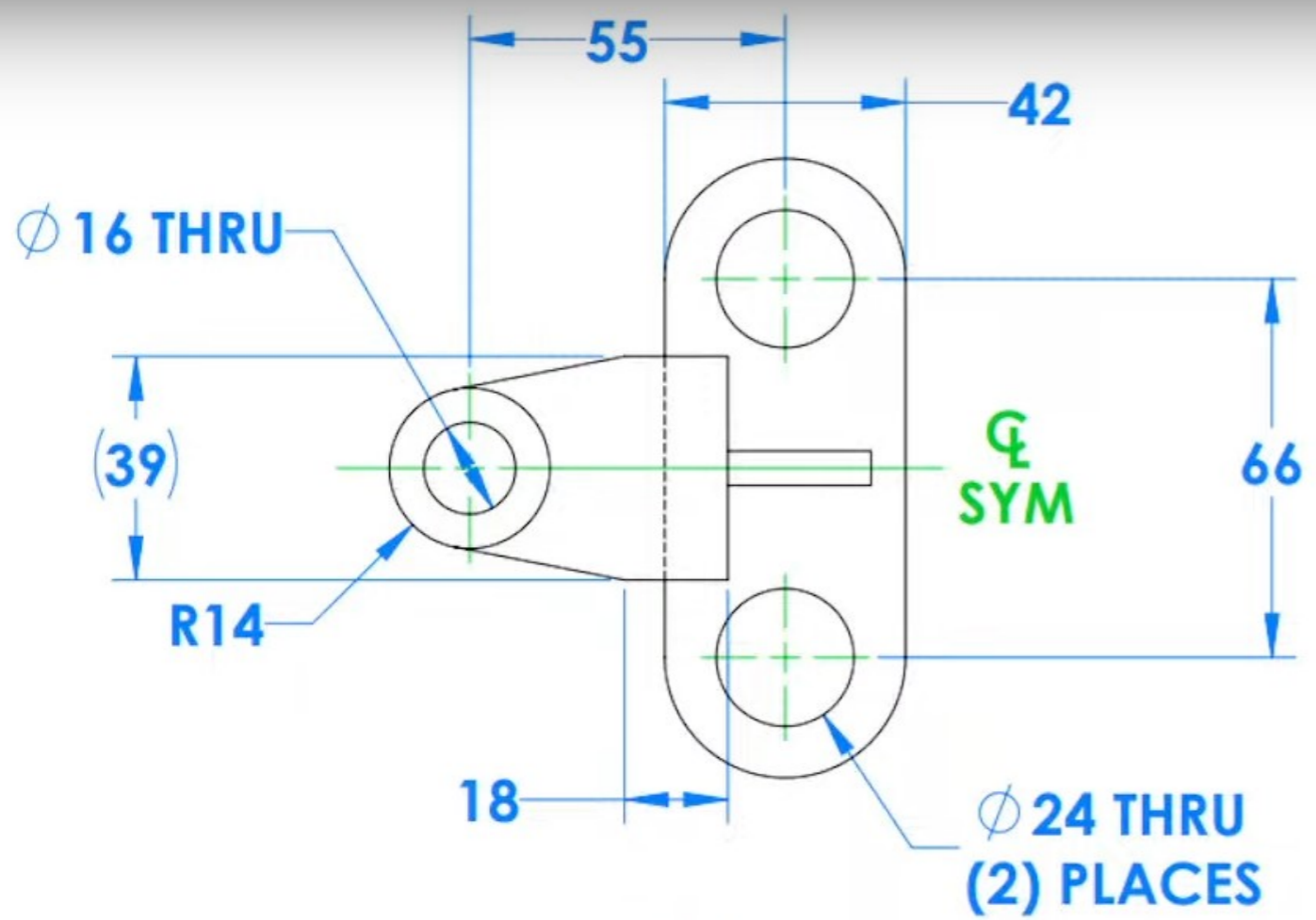


What is the MASS of this part in

197g

TOLERANCE $\pm 1g$



TOO TALL TOBY'S WORLD CHAMPIONSHIP OF 3D CAD SPEEDMODELING	
UNIT SYSTEM:	MMGS
MATERIAL:	1060 ALLOY
DENSITY:	2700 kg/m ³
23-T-04-CORNER T	