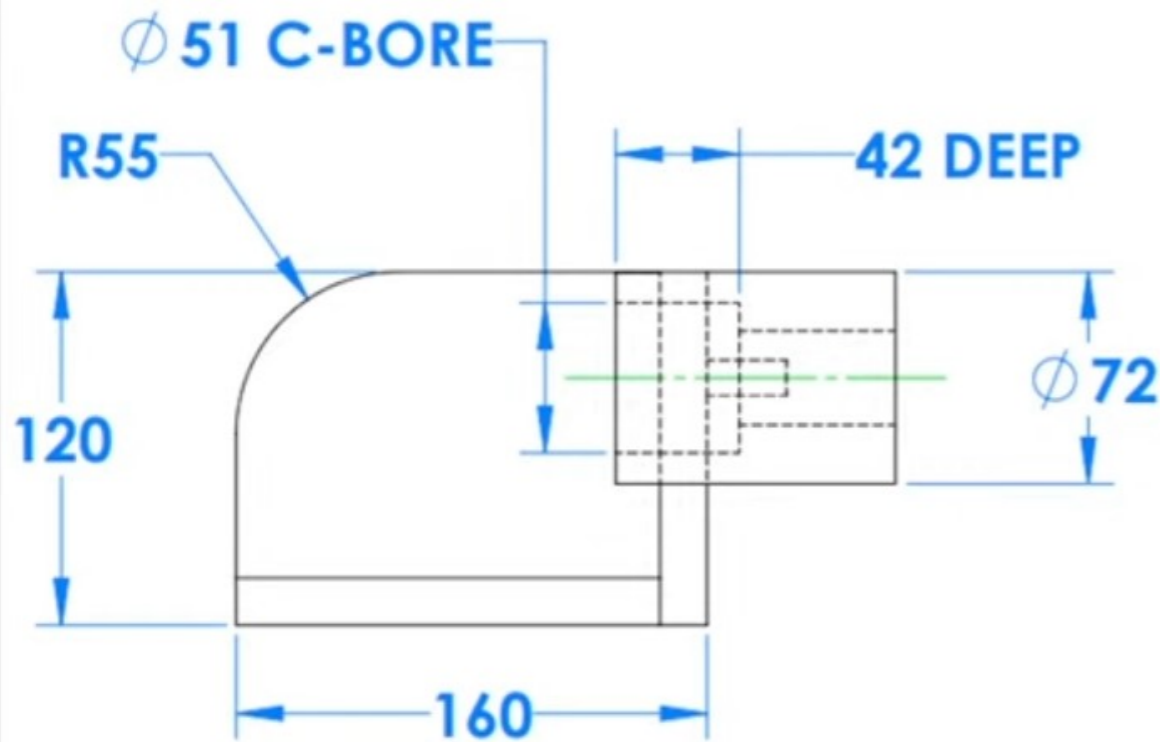


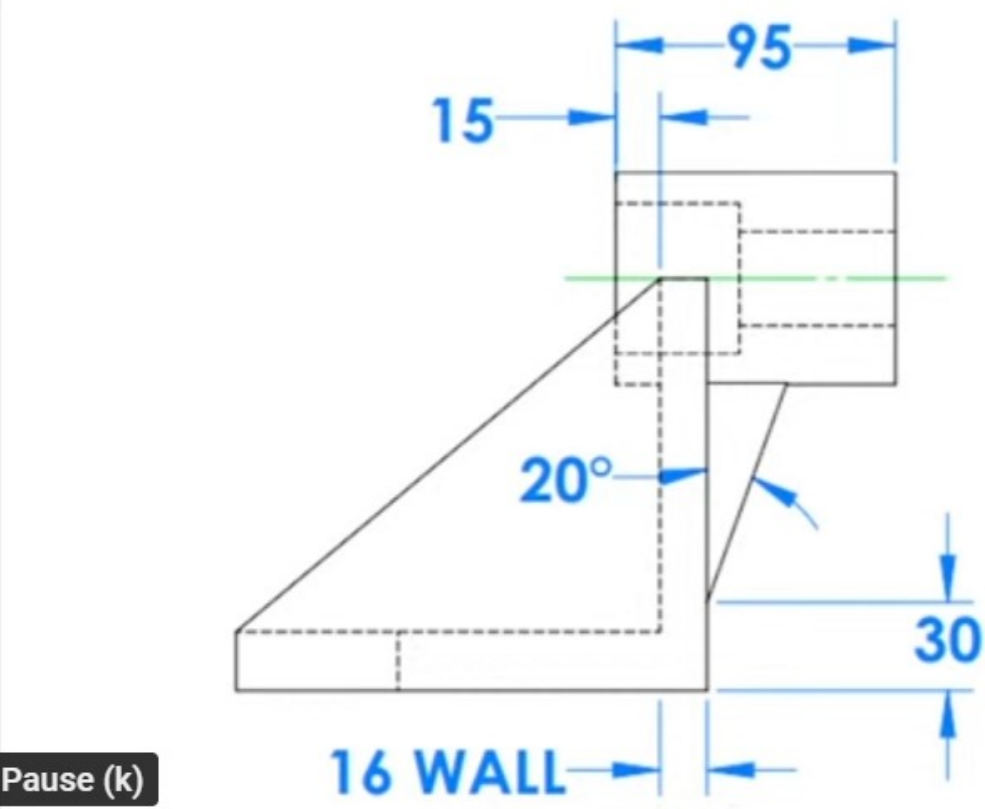
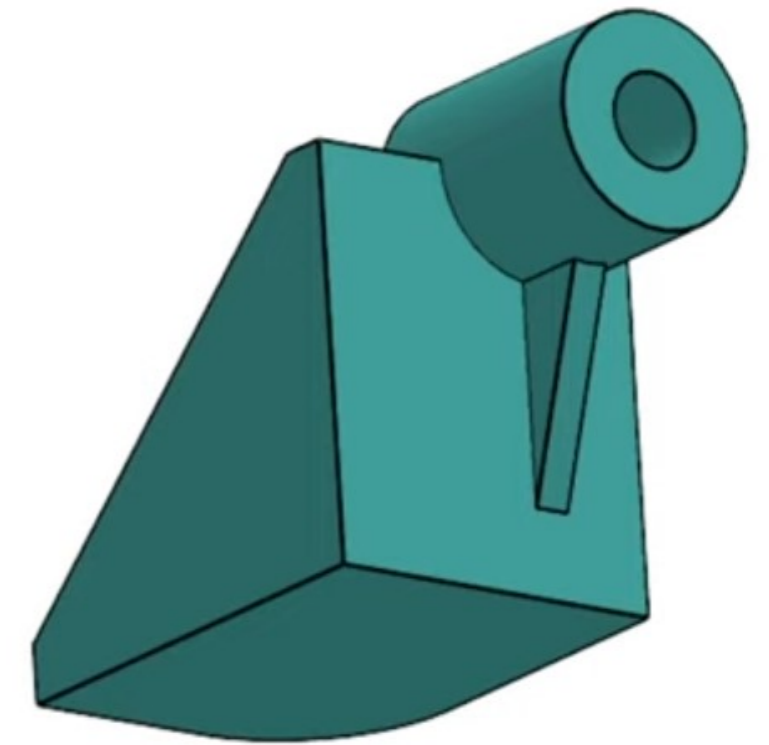
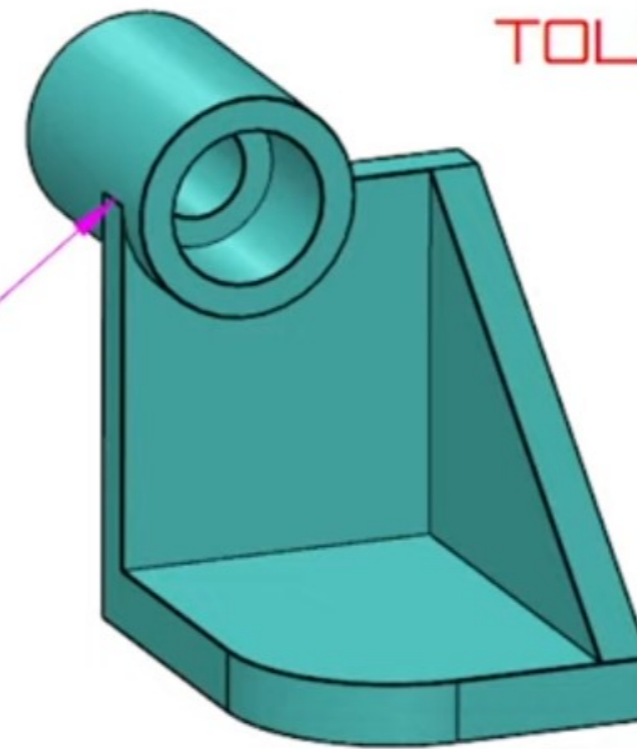
What is the MASS of this part in

997 g

TOLERANCE  $\pm 1$  g



TANGENT



$\phi$  32 THRU

16 WALL

140

12 RIB

20 BASE

6

TOO TALL TOBY'S  
WORLD CHAMPIONSHIP  
3D CAD SPEEDMODELING

UNIT SYSTEM:	MMGS
MATERIAL:	ABS
DENSITY:	1020 kg/m <sup>3</sup>

23-T-05-SHAFT SUPPORT

Pause (k)