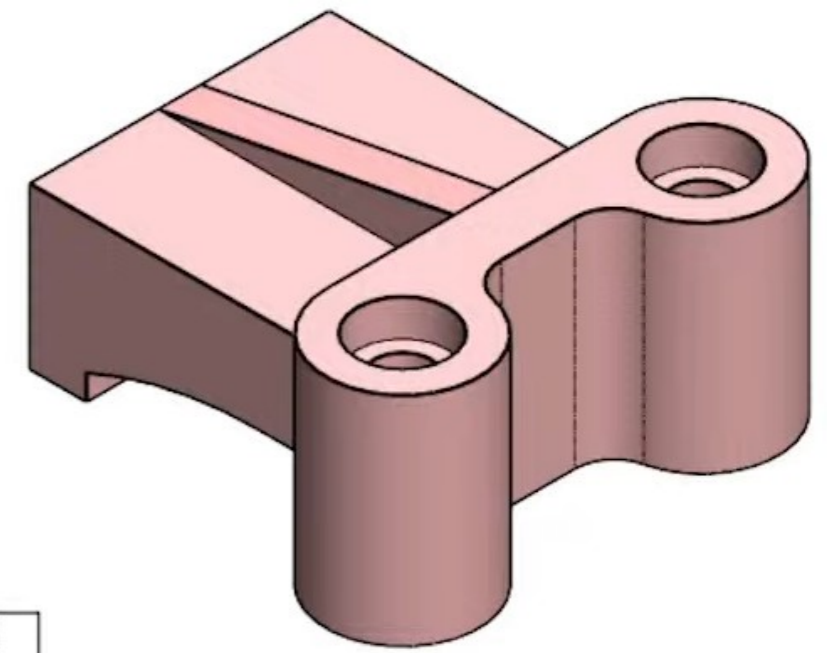
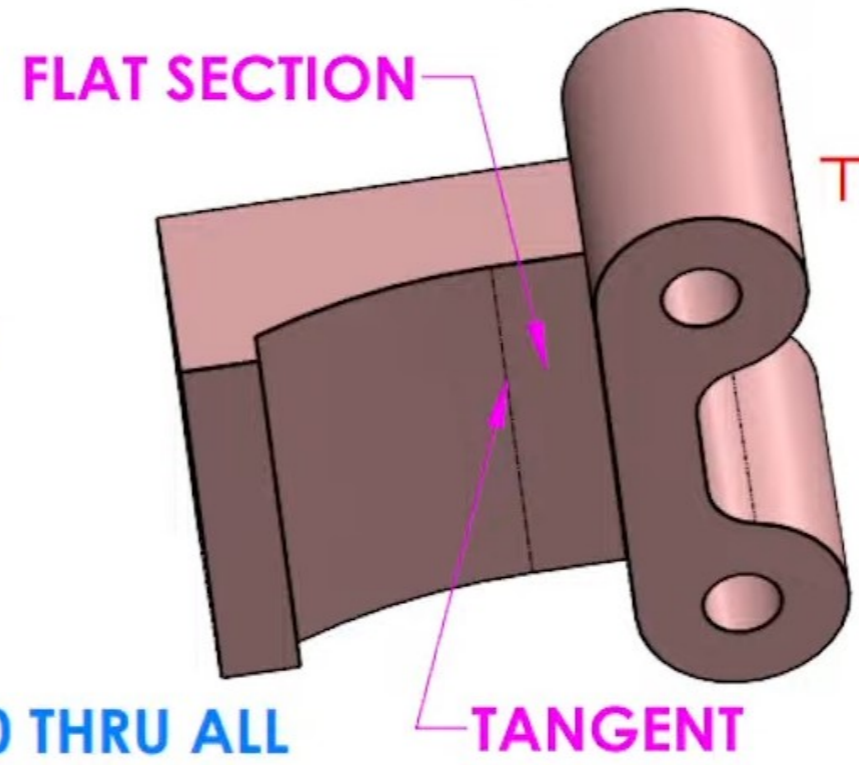
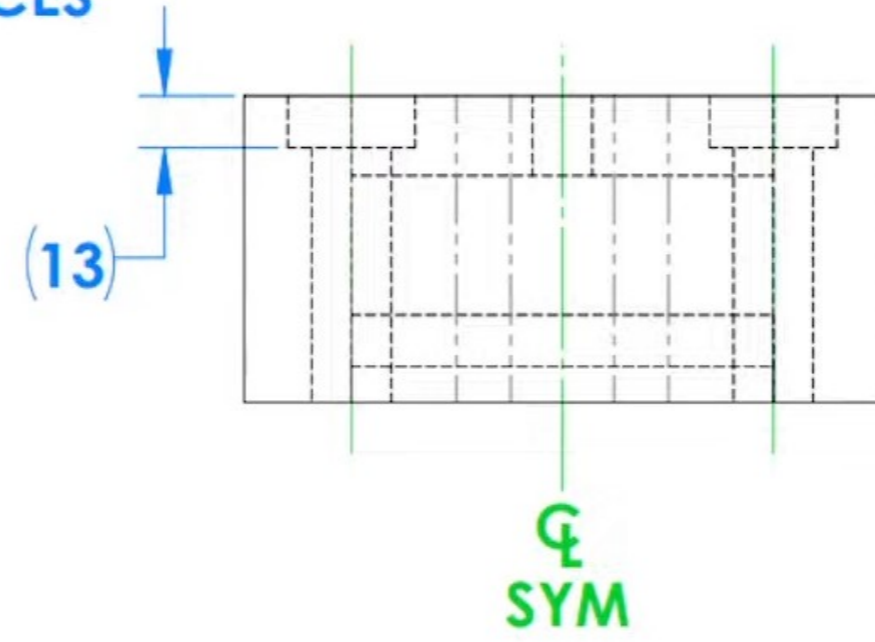


What is the MASS of this part in
 2398 g
 TOLERANCE ± 1 g



Ø 20 THRU ALL
Ø 32 ∇ 13
(2) PLACES



TOO TALL TOBY'S
WORLD CHAMPIONSHIP
 OF 3D CAD SPEEDMODELING

UNIT SYSTEM:	MMGS
MATERIAL:	1060 ALLOY
DENSITY:	2700 kg/m ³
23-T-Ø7-EAR BRACKET	