

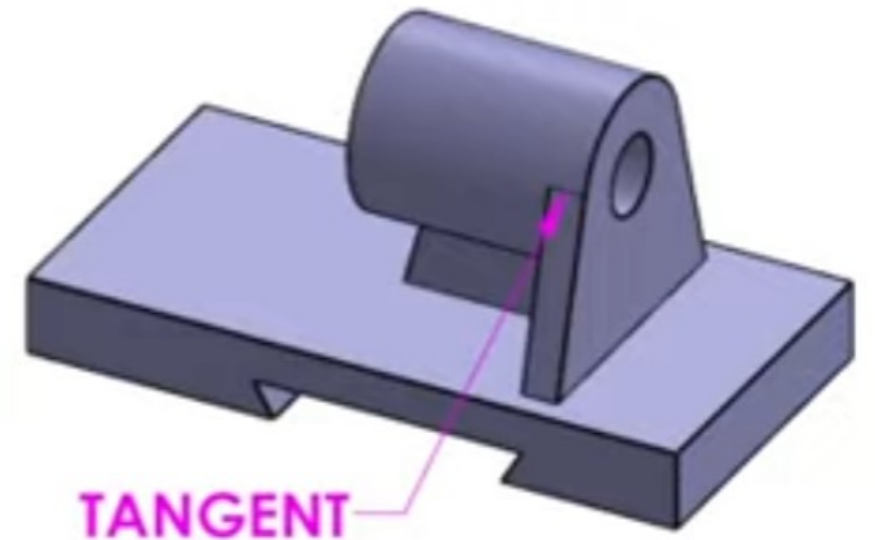
Press Esc to exit full screen

What is the MASS of this part in

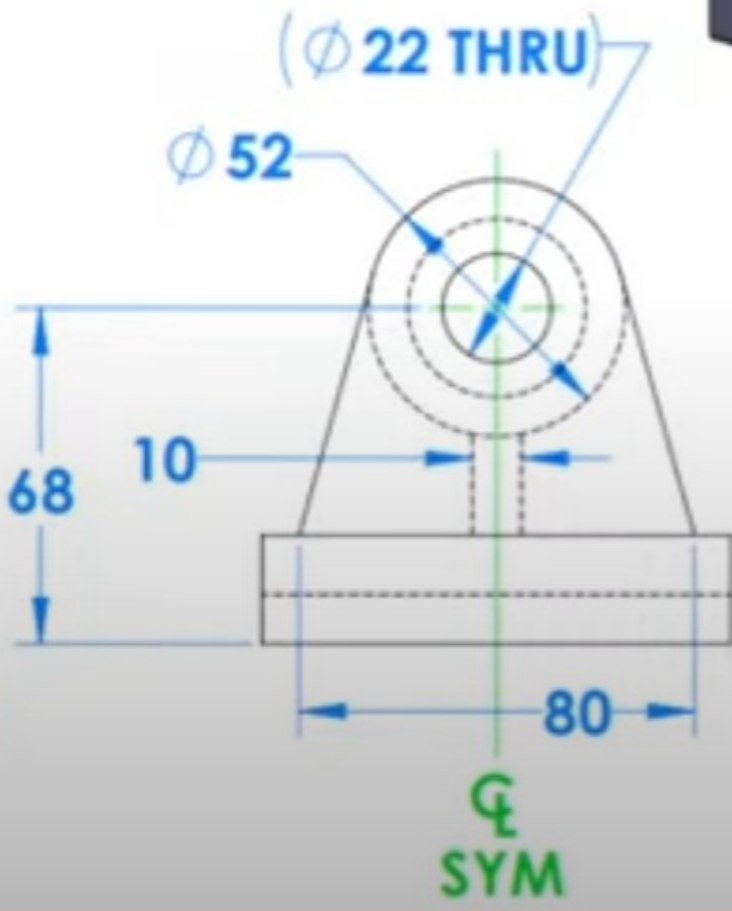
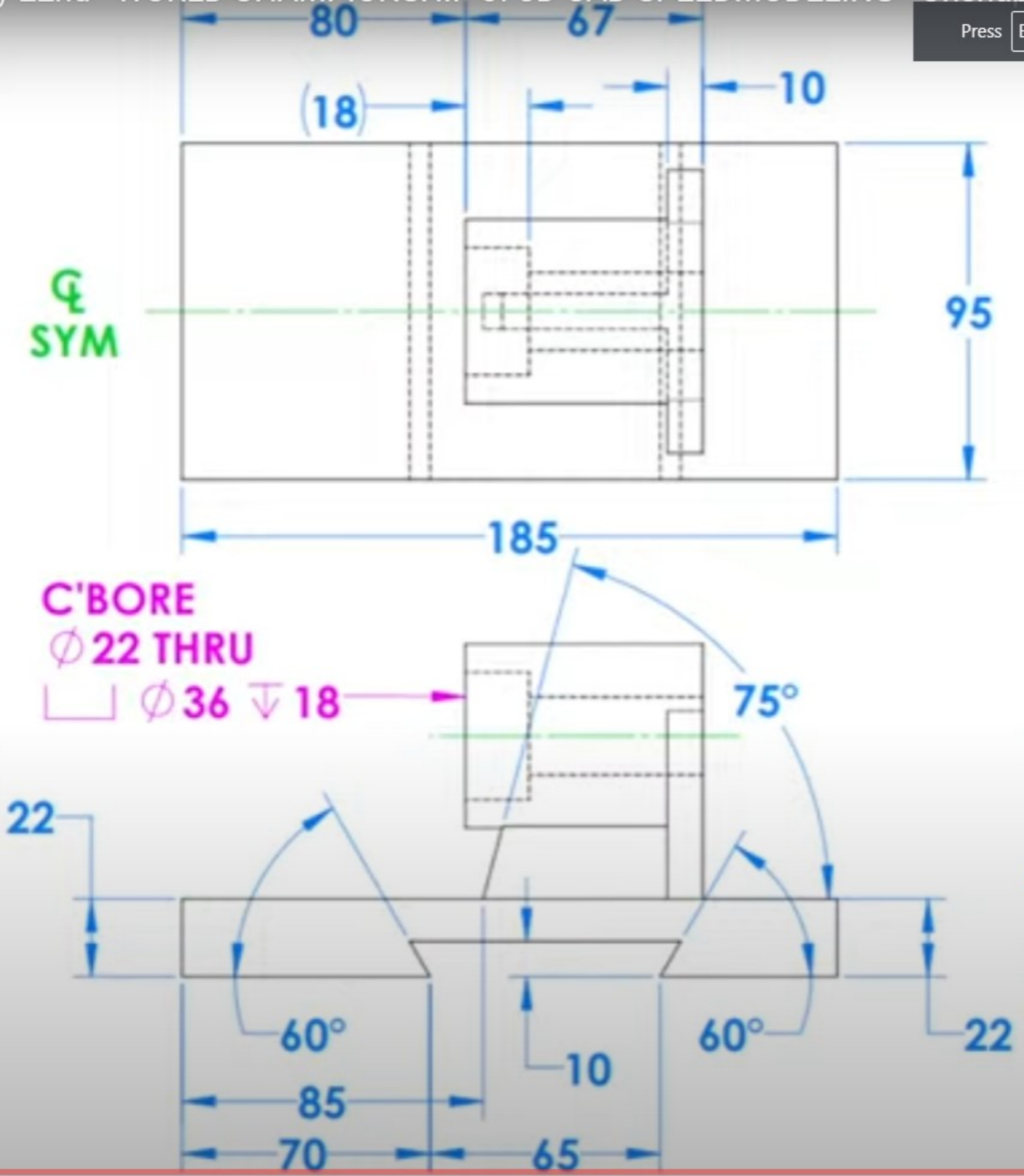
464 g

TOLERANCE ± 1 g

☒  
SYM



TANGENT



TOO TALL TOBY'S  
WORLD CHAMPIONSHIP  
3D CAD SPEEDMODELING

UNIT SYSTEM:	MMGS
MATERIAL:	ABS
DENSITY:	1020 kg/m <sup>3</sup>
23-T-09-DOVETAIL MOUNT	