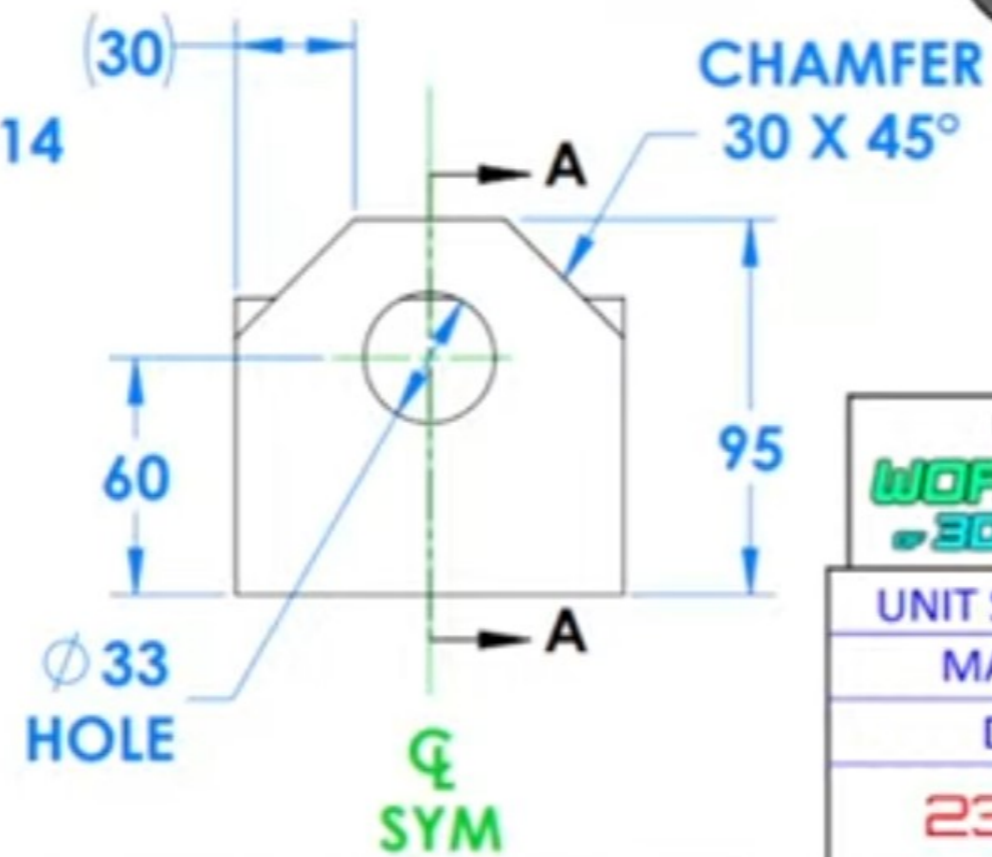
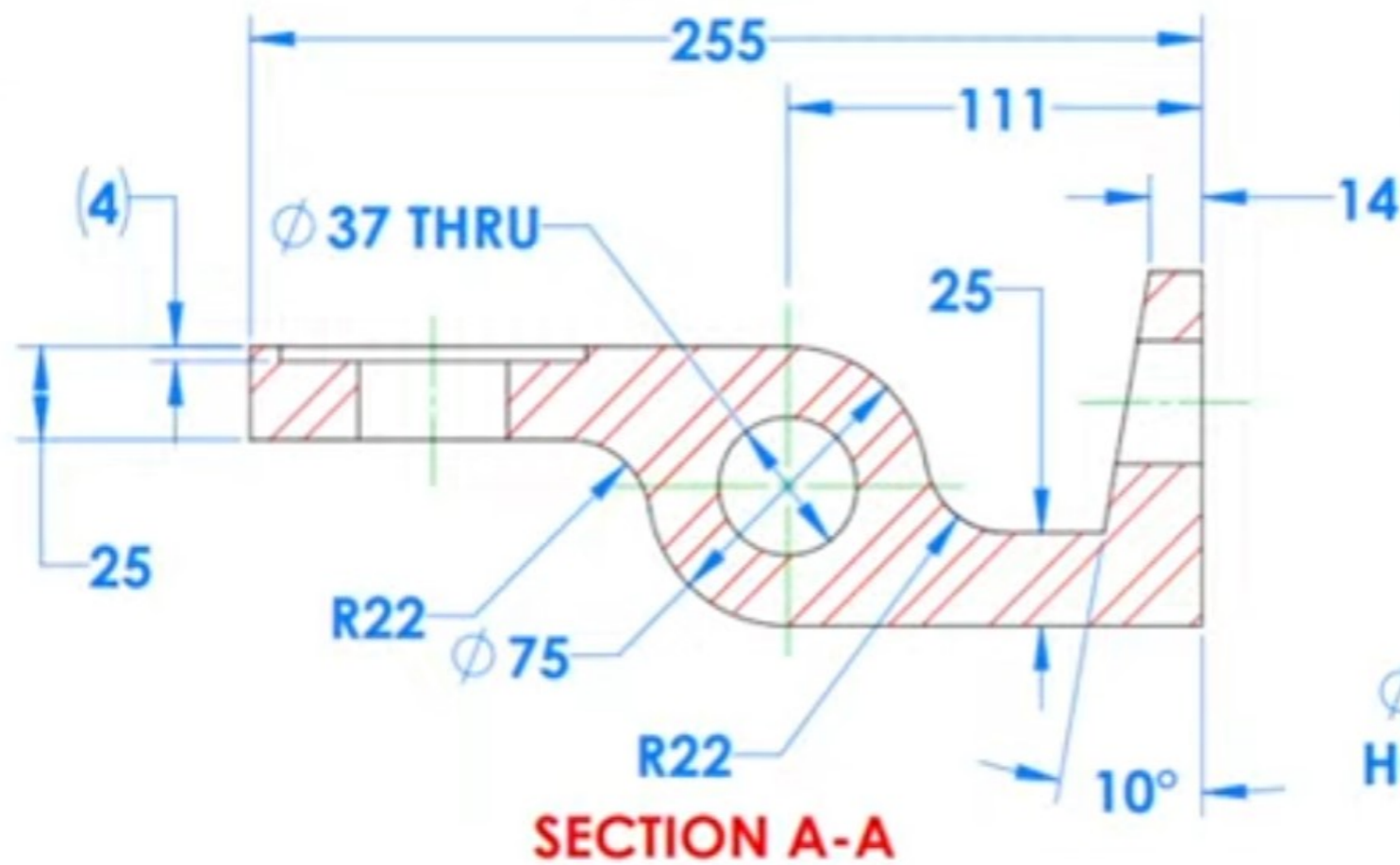
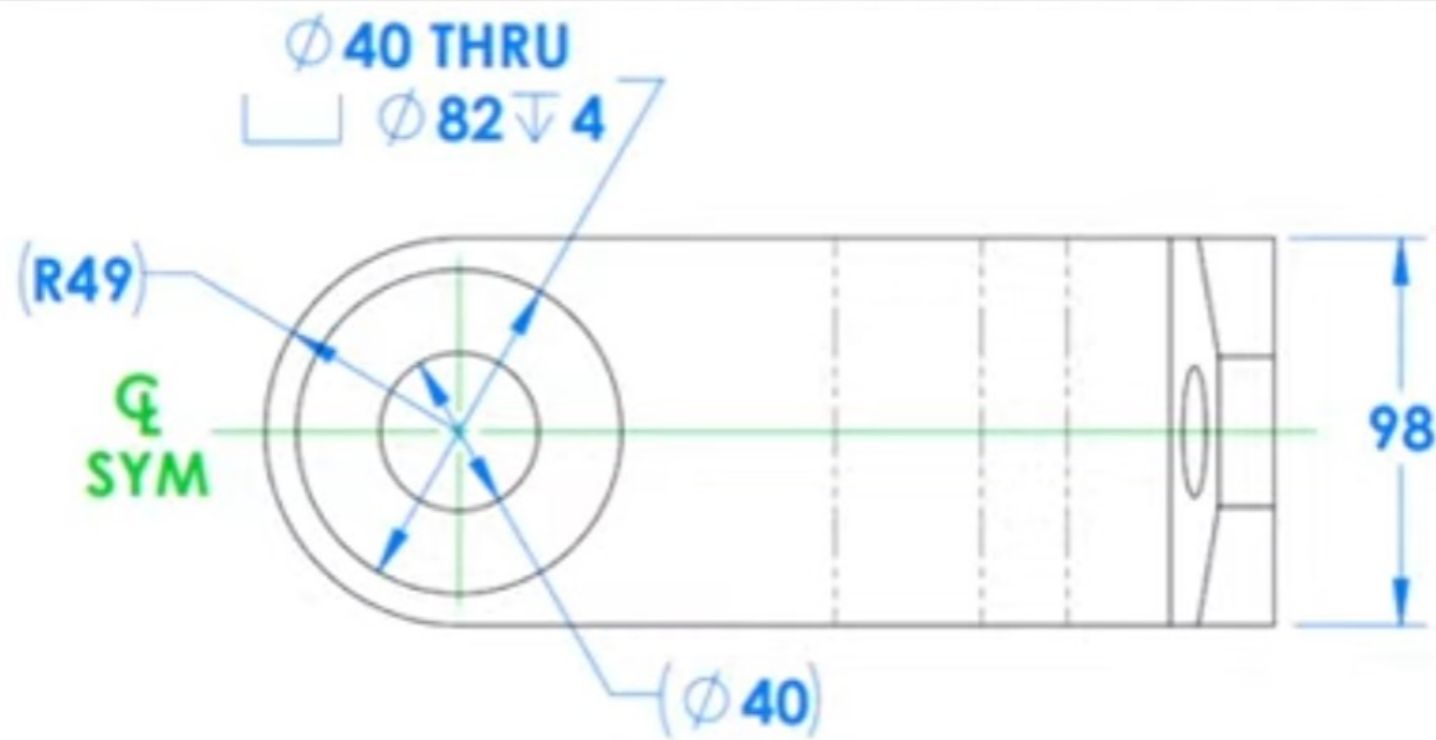


What is the MASS of this part in

6857 g

TOLERANCE ± 2 g



TOD TALL TOEY'S
WORLD CHAMPIONSHIP
3D CAD SPEEDMODELING

UNIT SYSTEM:	MMGS
MATERIAL:	PLAIN CARBON STEEL
DENSITY:	7800 kg/m ³

23-T-10-BRACKET