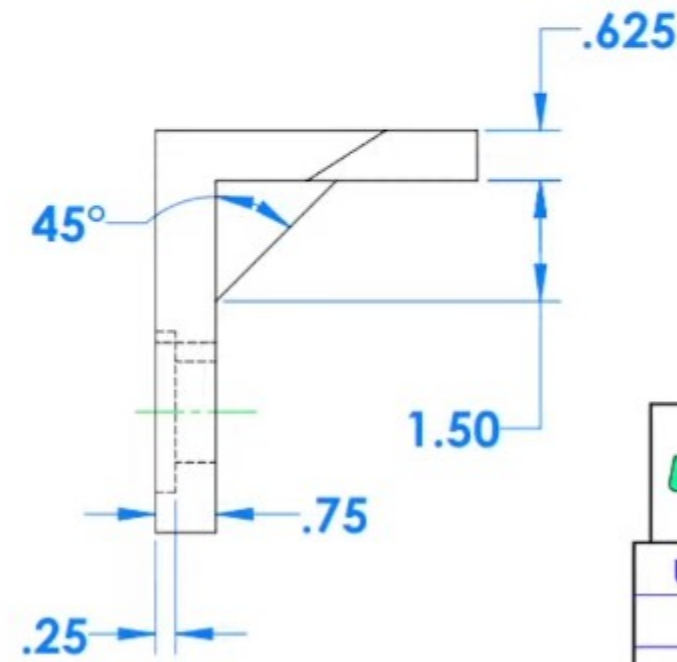
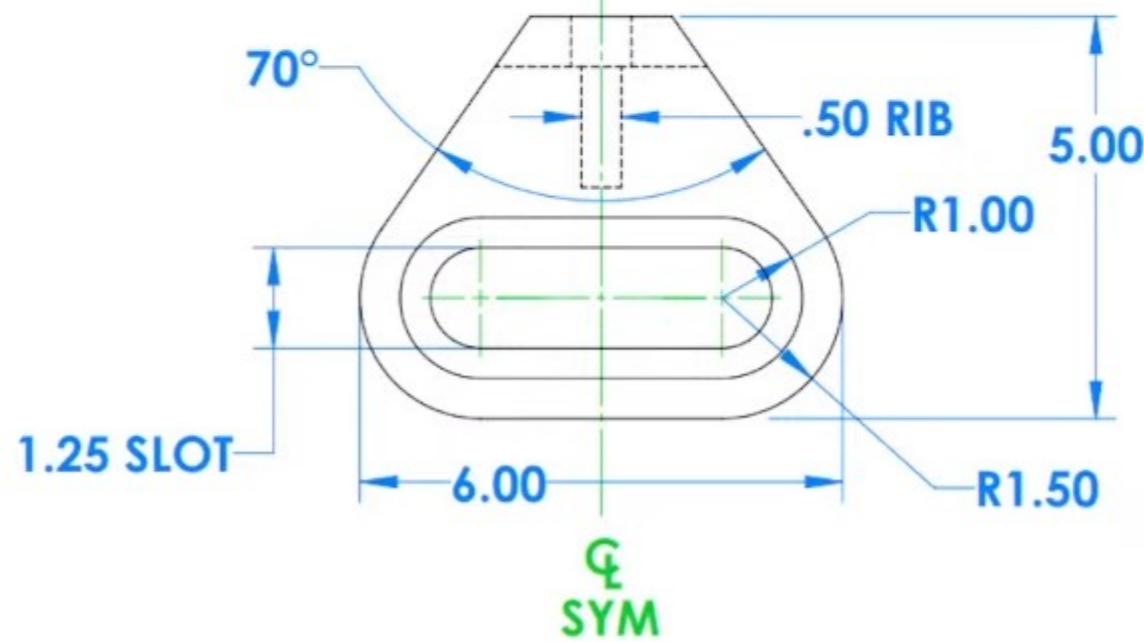
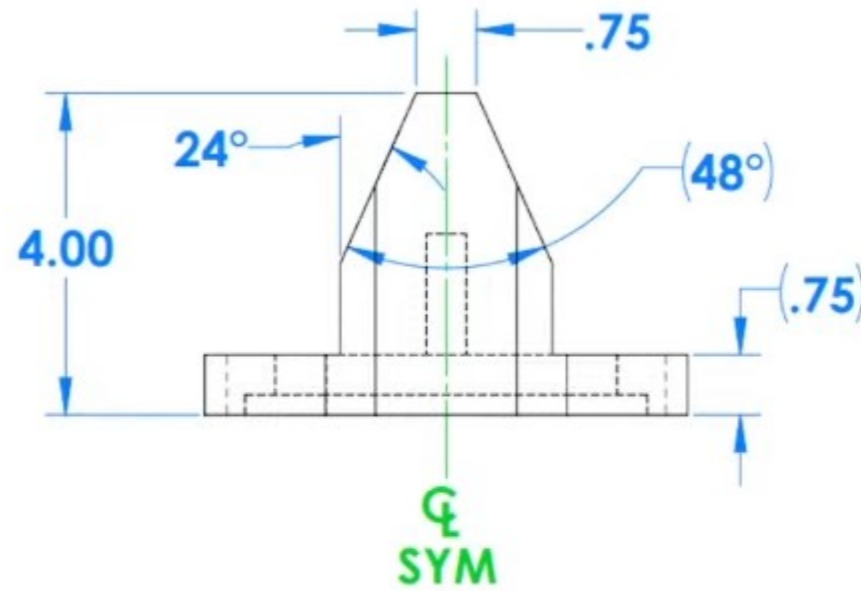


What is the MASS of this part in

0.605 lbs

TOLERANCE  $\pm 0.002$  lbs



TOO TALL TOEYS  
WORLD CHAMPIONSHIP  
3D CAD SPEEDMODELING

UNIT SYSTEM:	IPS
MATERIAL:	ABS
DENSITY:	1020 kg/m <sup>3</sup>

23-T-11-PULLER