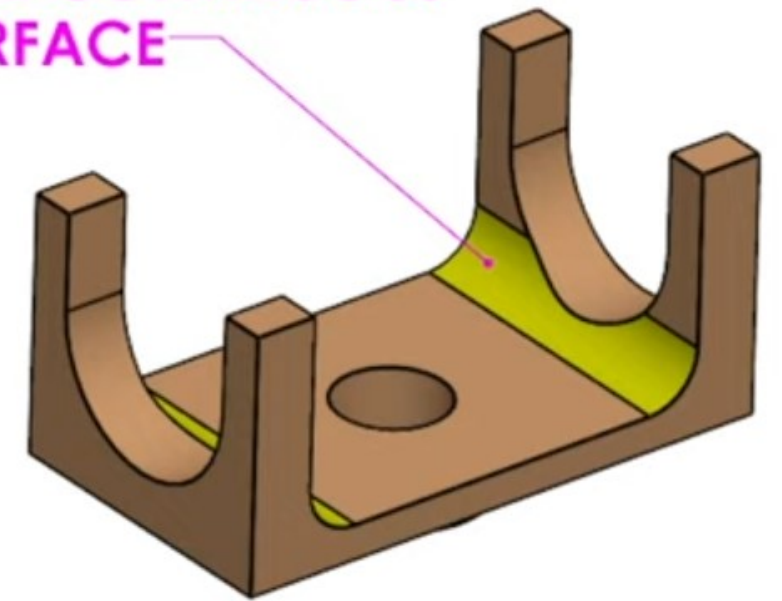
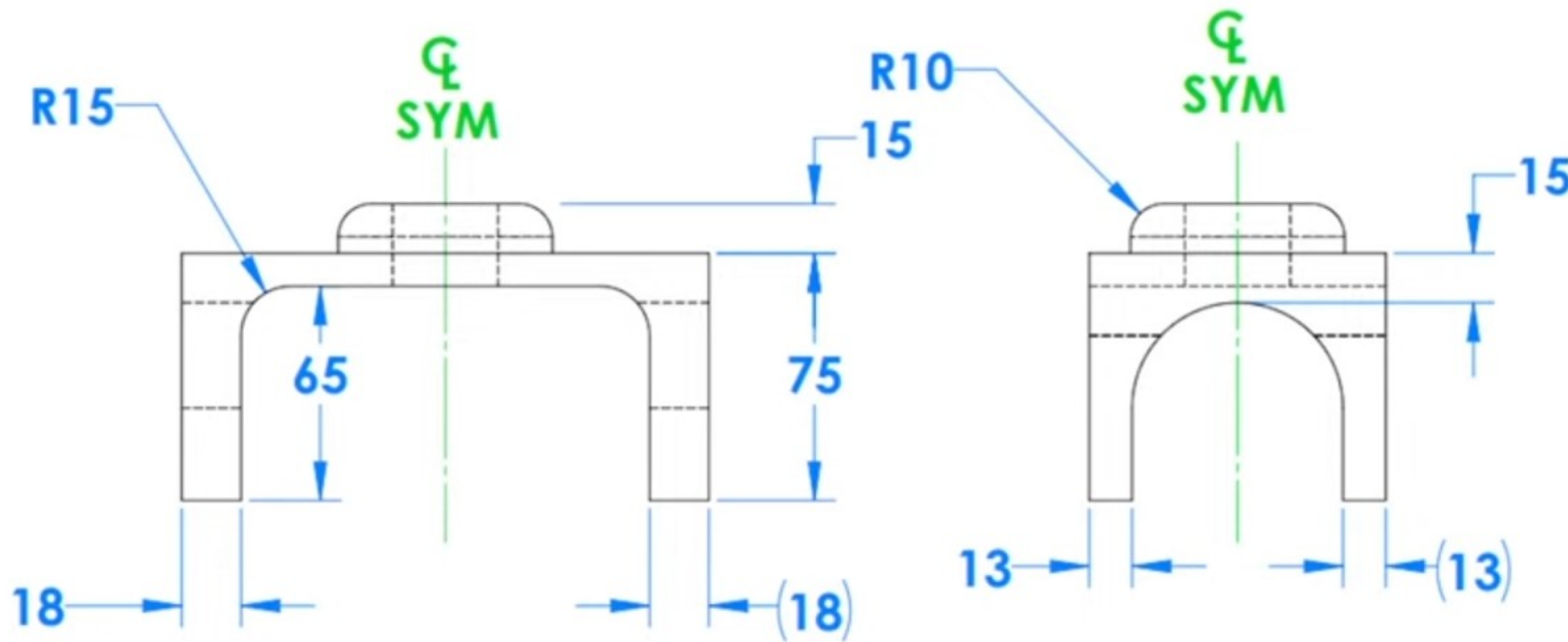
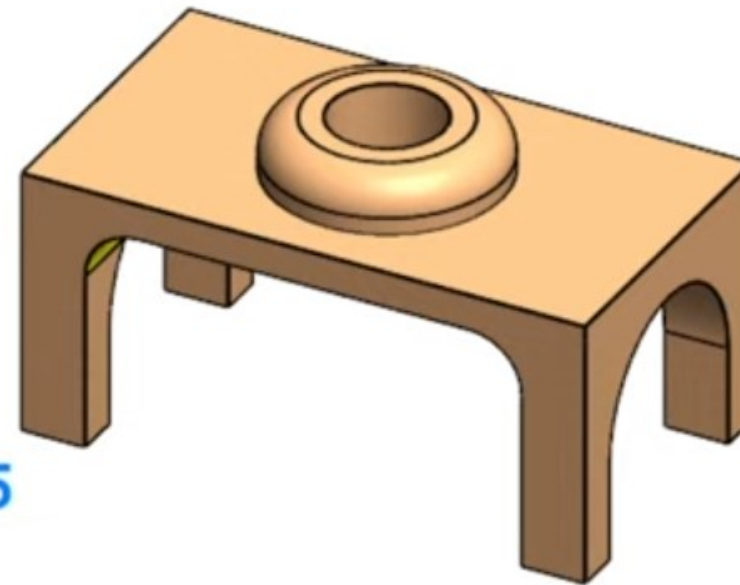
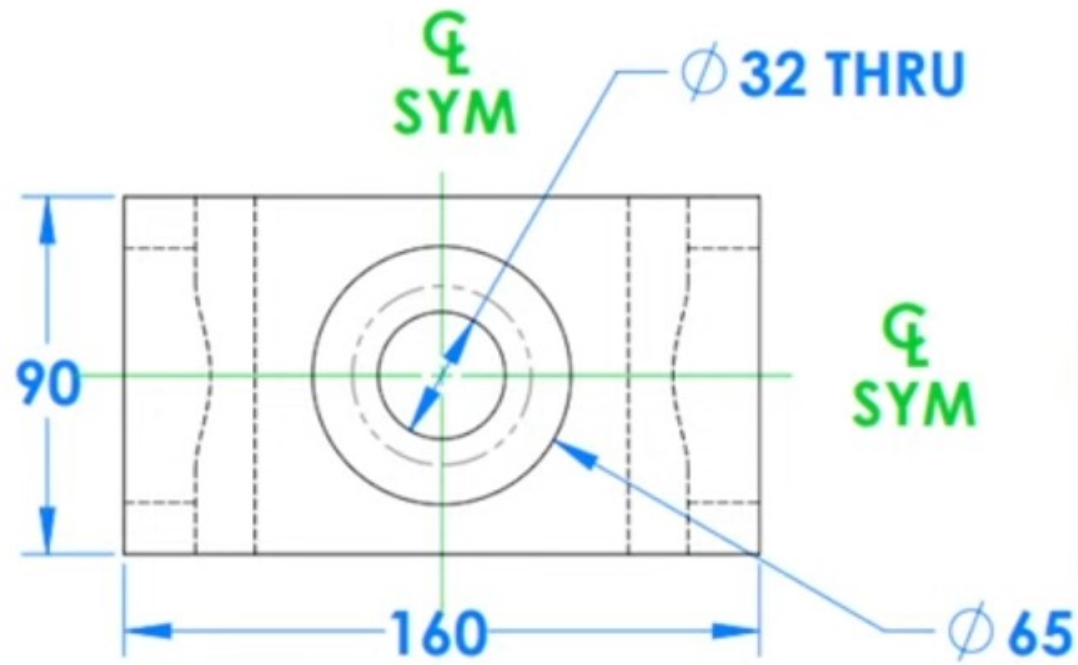


What is the MASS of this part in

718 g

TOLERANCE  $\pm 1$  g

NOTE:  
ONE CONTINUOUS  
SURFACE



TOO TALL TOEYS  
**WORLD CHAMPIONSHIP**  
3D CAD SPEEDMODELING

UNIT SYSTEM:	MMGS
MATERIAL:	1060 ALLOY
DENSITY:	2700 kg/m <sup>3</sup>

23-T-12-STAND-OFF