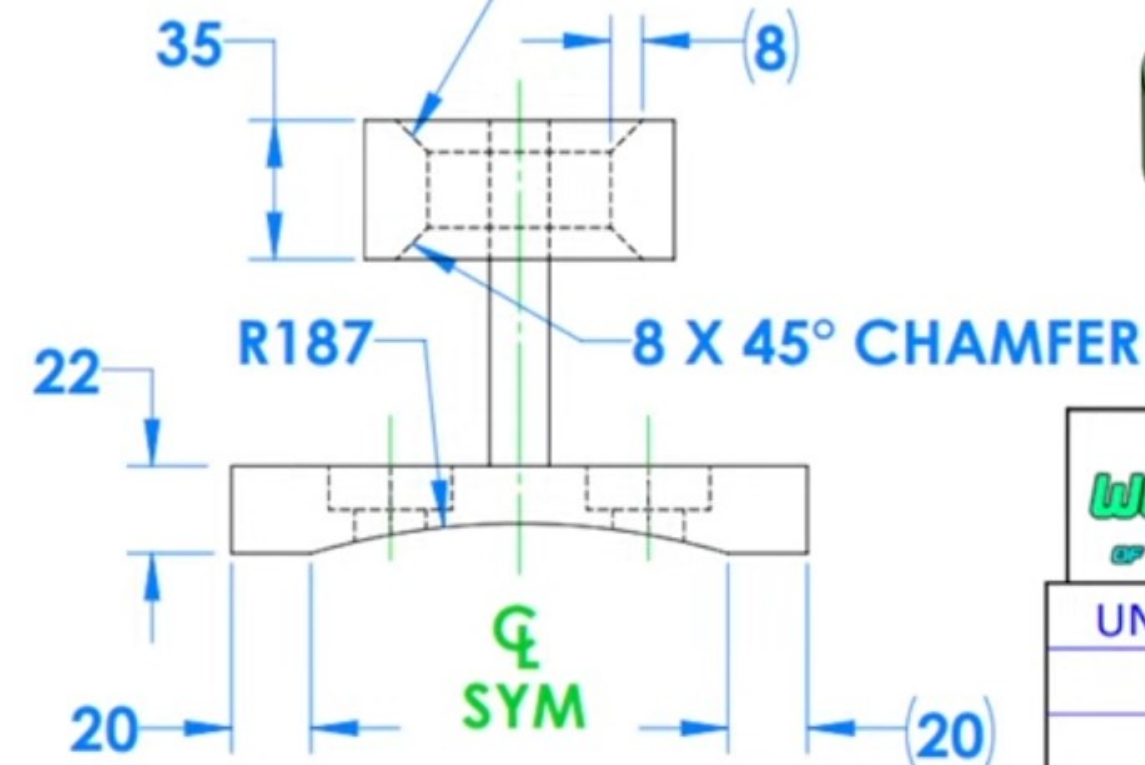
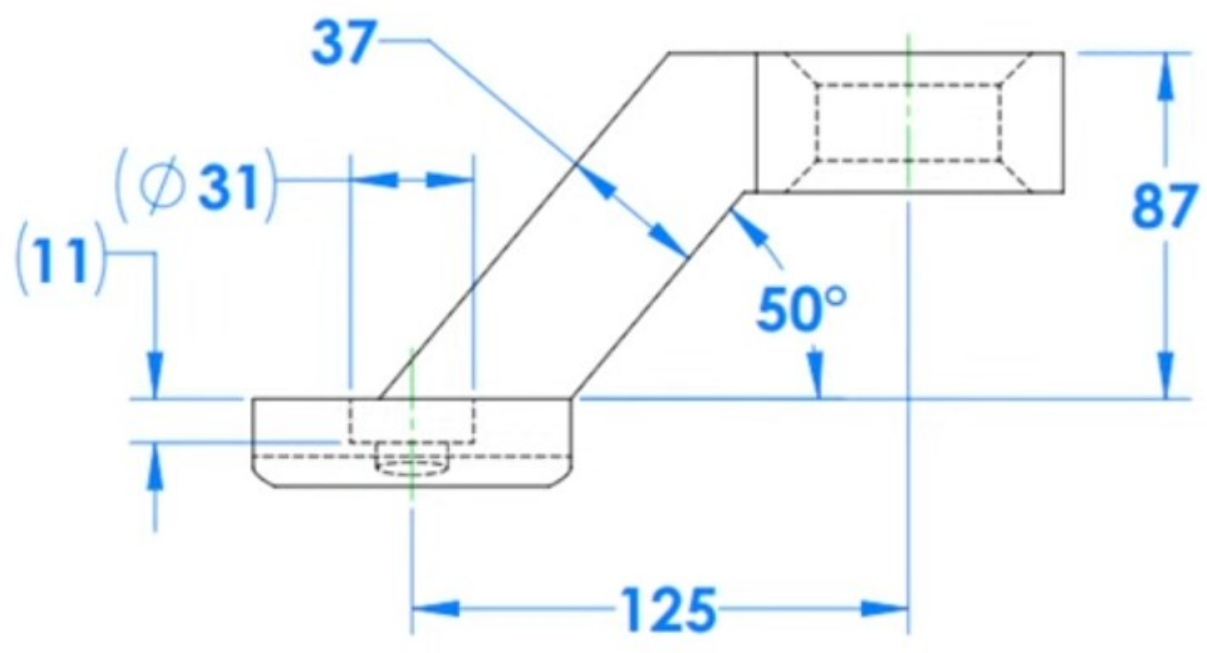
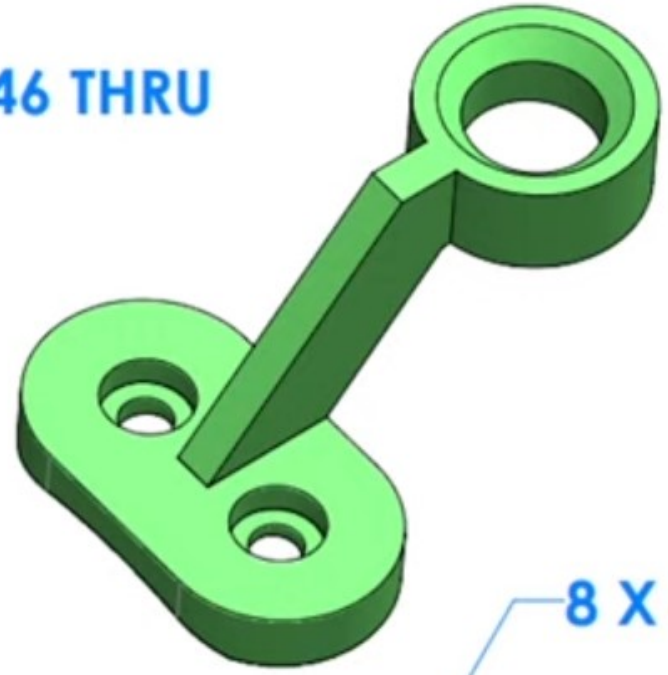


What is the MASS of this part in
2484 g
TOLERANCE ± 2 g



TOO TALL TOEYS
WORLD CHAMPIONSHIP
3D CAD SPEEDMODELING

| | |
|----------------------|------------------------|
| UNIT SYSTEM: | MMGS |
| MATERIAL: | PLAIN CARBON STEEL |
| DENSITY: | 7800 kg/m ³ |
| 23-T-14-GUIDE | |