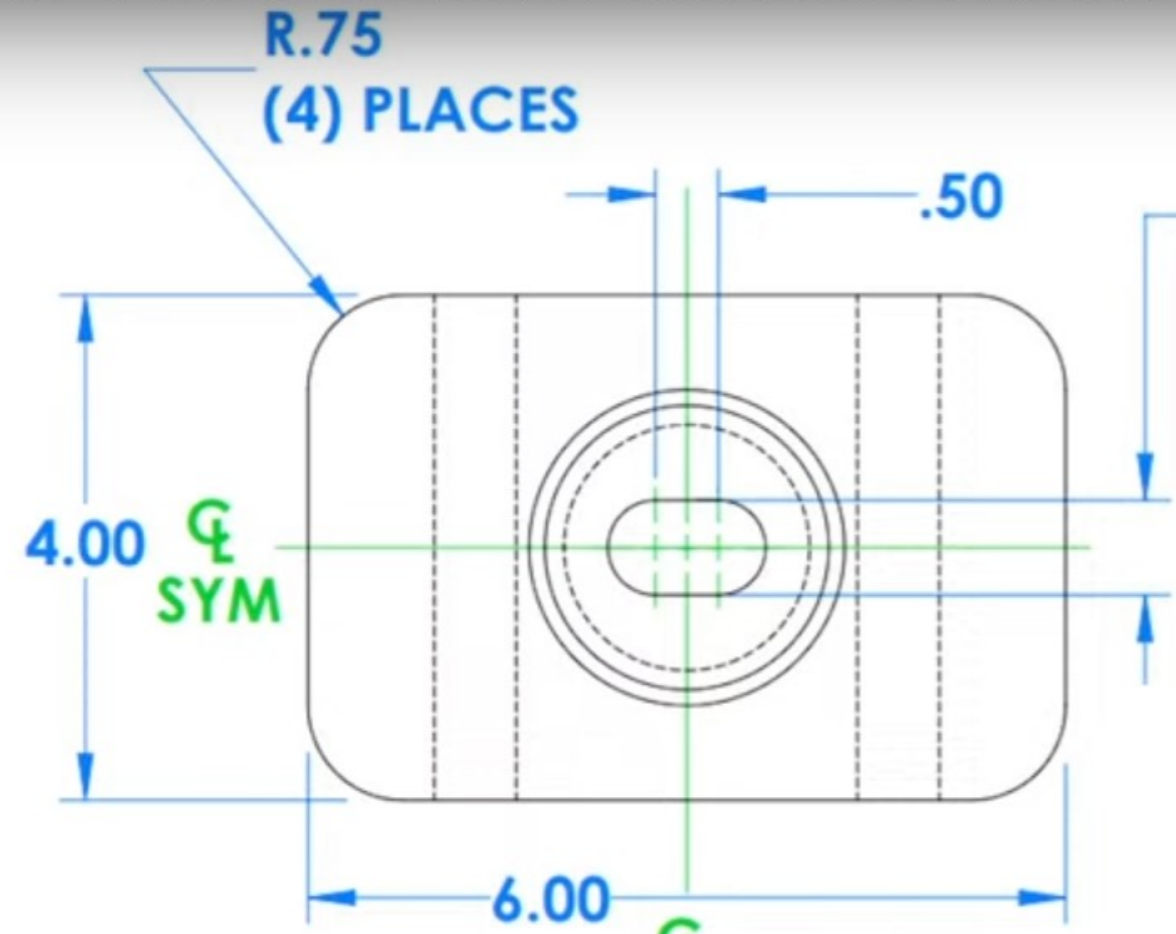


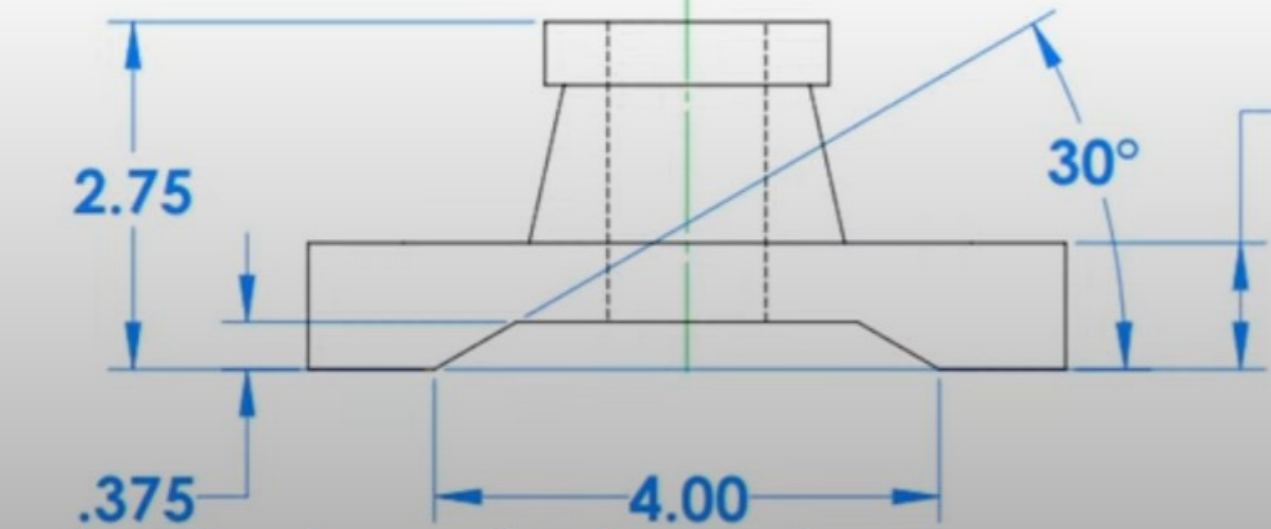
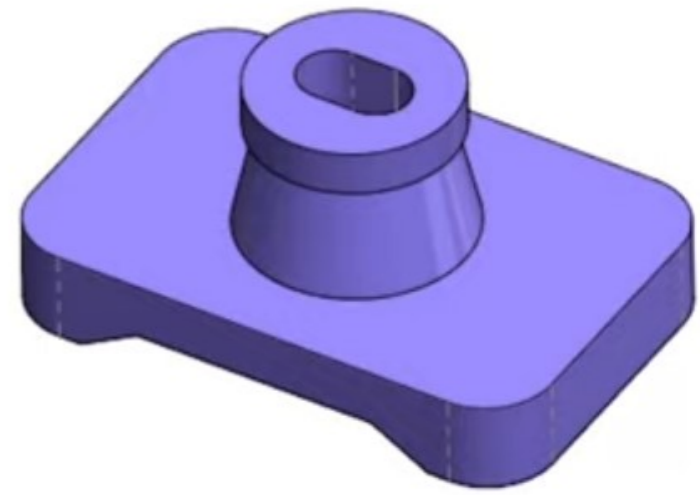
What is the MASS of this part in

2.284 lbs

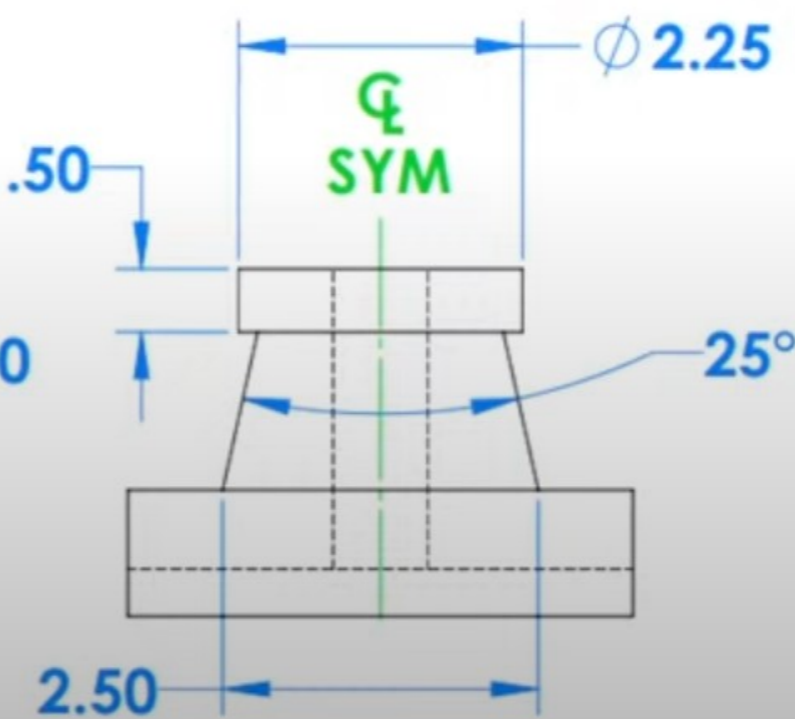
TOLERANCE  $\pm 0.0002$  lbs



.75 SLOT THRU



1.00



TOO TALL TOEY'S  
WORLD CHAMPIONSHIP  
of 3D CAD SPEEDMODELING

UNIT SYSTEM:	IPS
MATERIAL:	1060 Alum Alloy
DENSITY:	2700 kg/m <sup>3</sup>

23-T-16-NOZ MOUNT