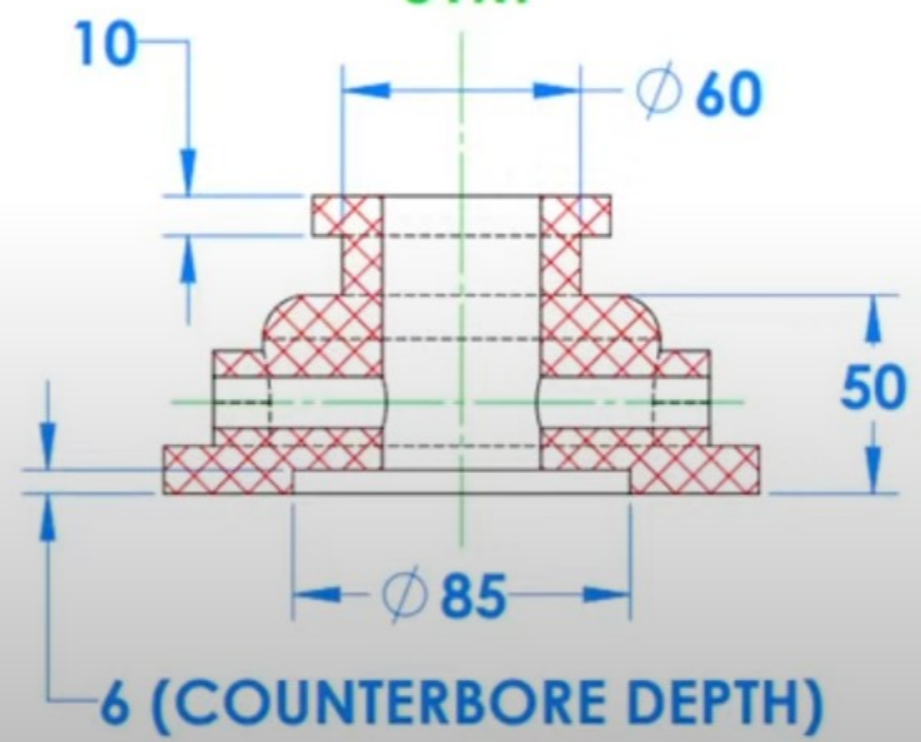
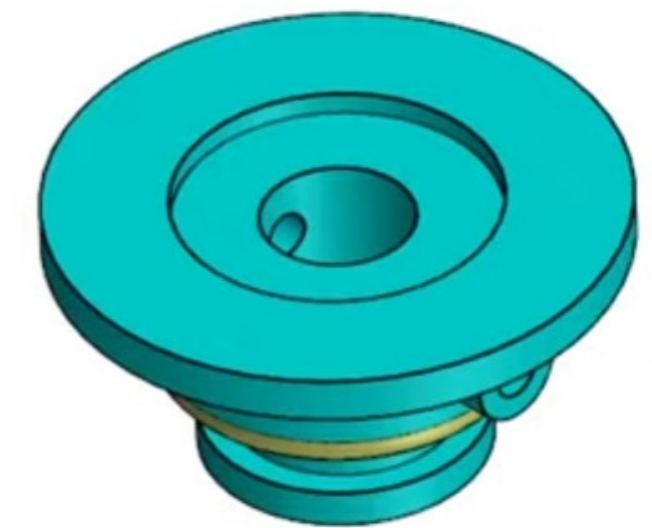
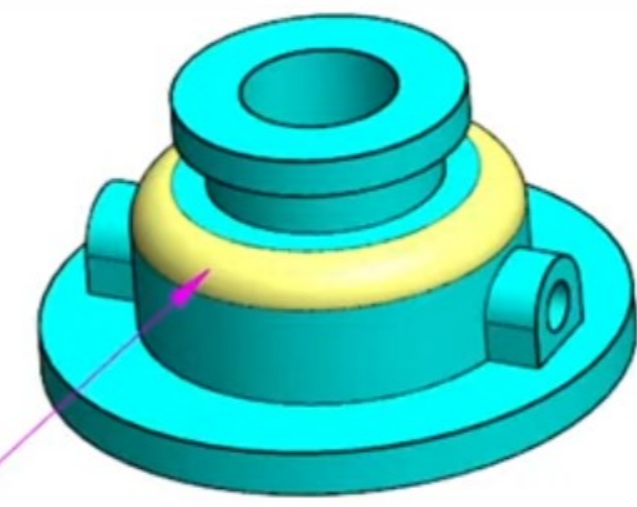
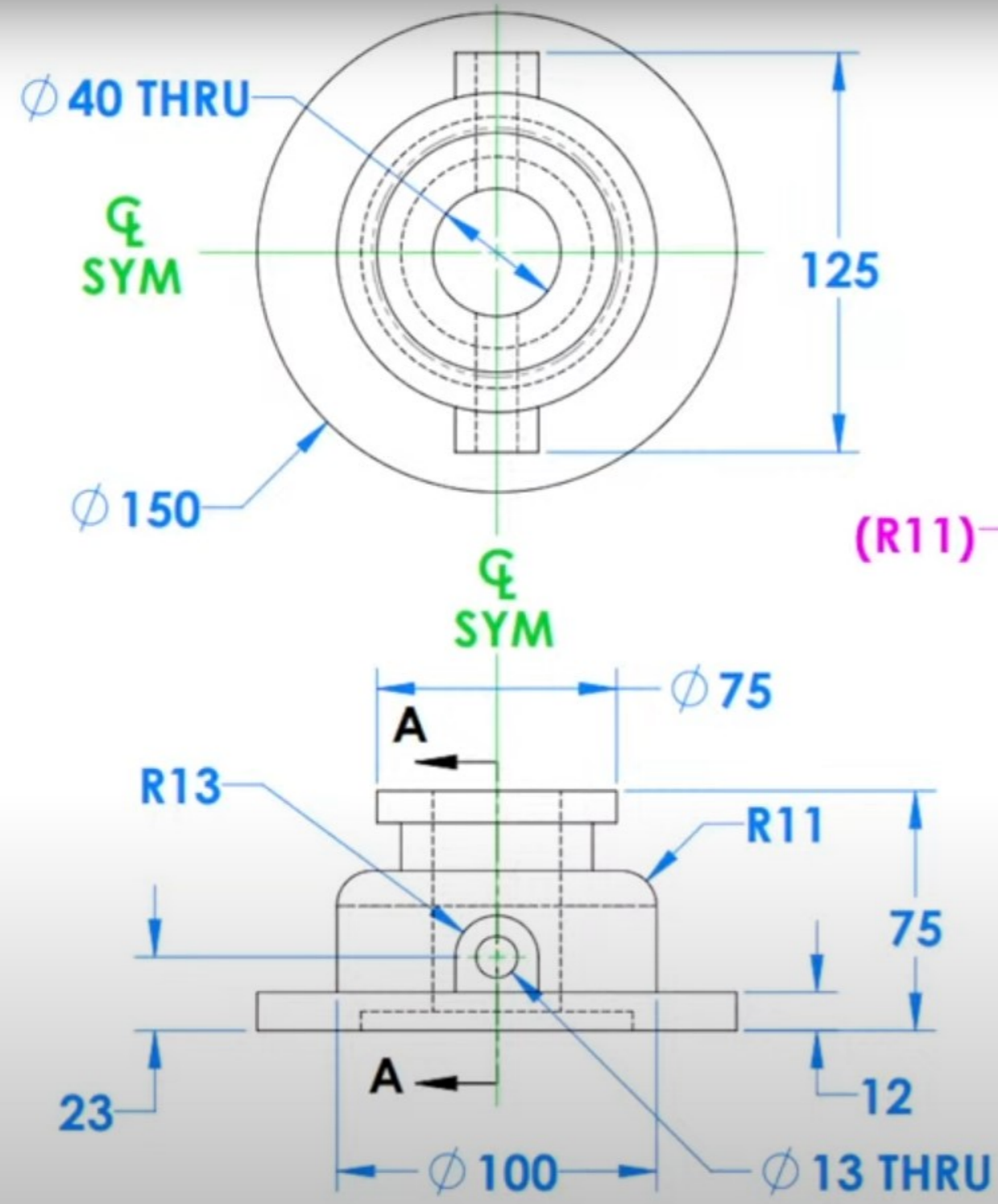


What is the MASS of this part in

481 g

TOLERANCE ± 1 g



SECTION A-A

TOO TALL TOEYS WORLD CHAMPIONSHIP 3D CAD SPEEDMODELING	
UNIT SYSTEM:	MMGS
MATERIAL:	ABS
DENSITY:	1020 kg/m ³
23-T-17-PORT	