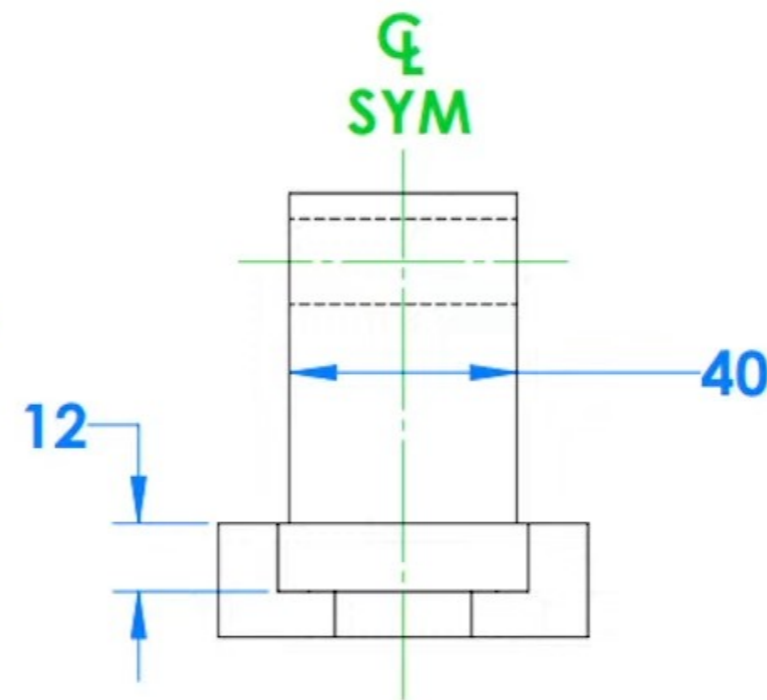
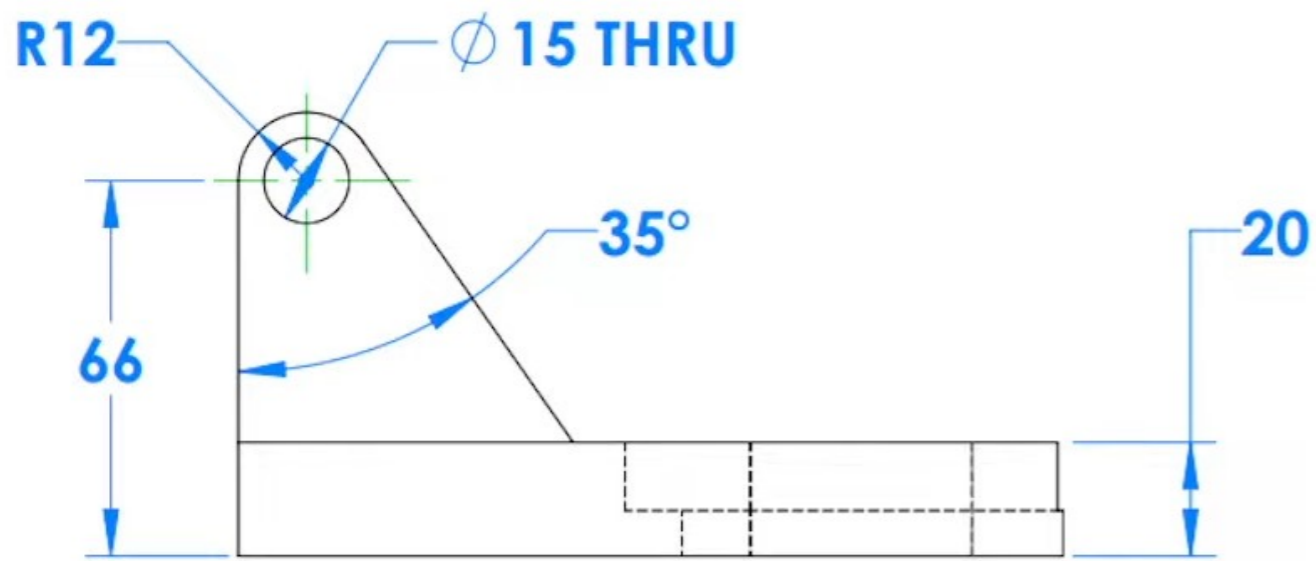
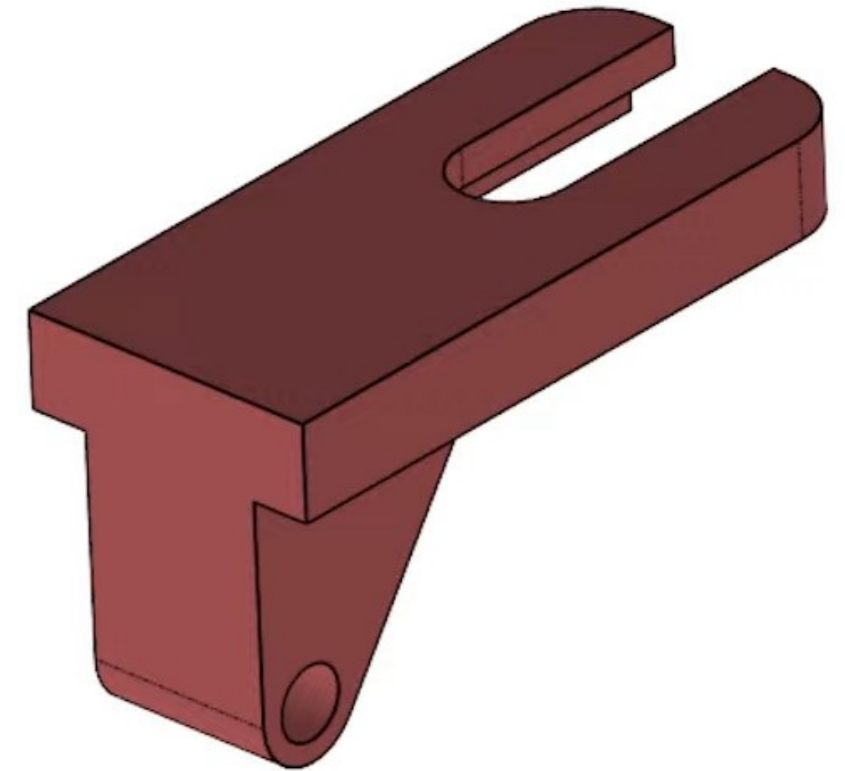
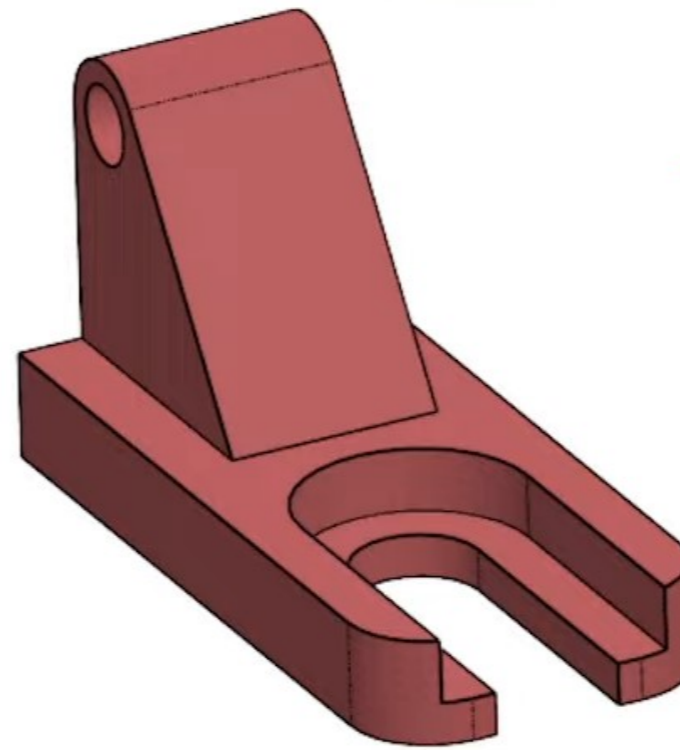
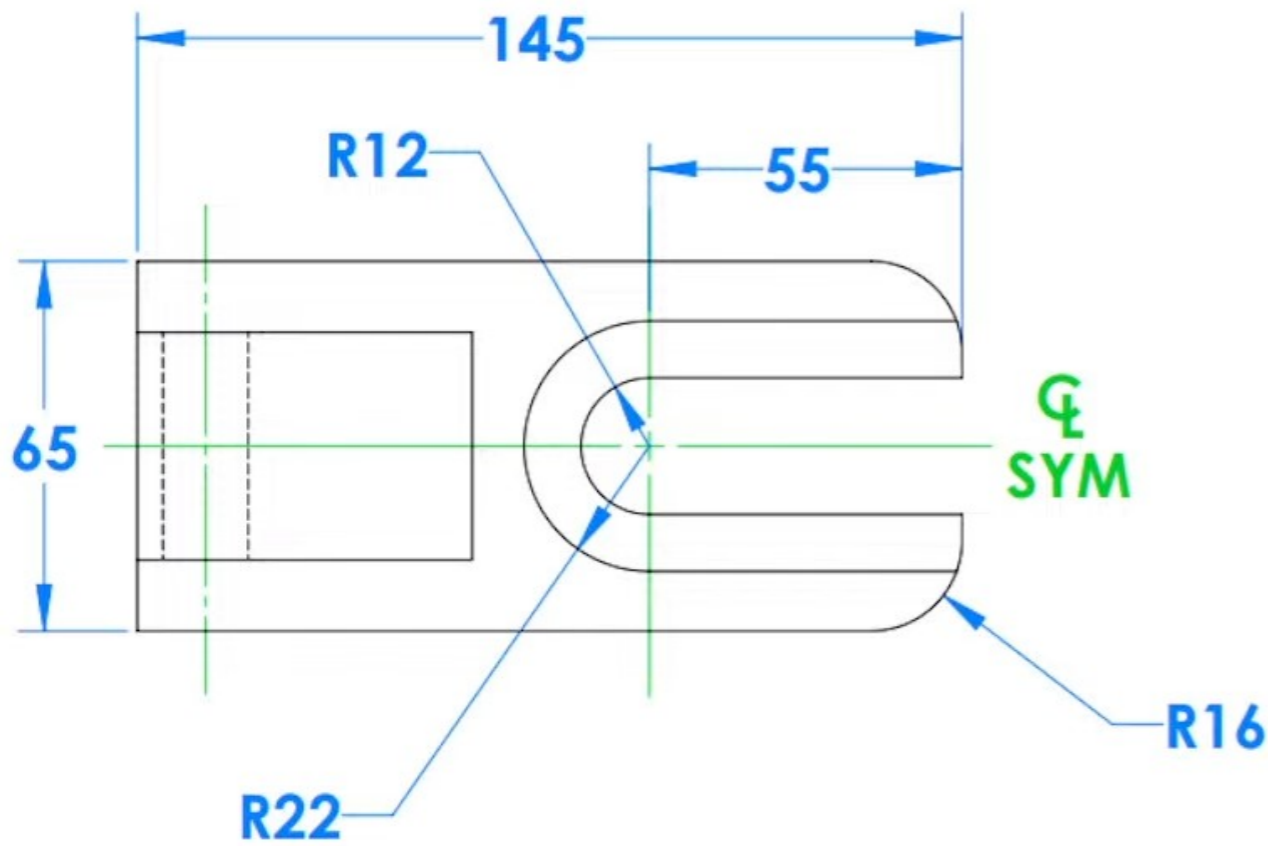


What is the MASS of this part in

585 g

TOLERANCE ± 1 g



TOO TALL TOBY'S
WORLD CHAMPIONSHIP
OF 3D CAD SPEEDMODELING

UNIT SYSTEM:	MMGS
MATERIAL:	1060 ALLOY
DENSITY:	2700 kg/m ³

23-T-18-SLIDE HINGE