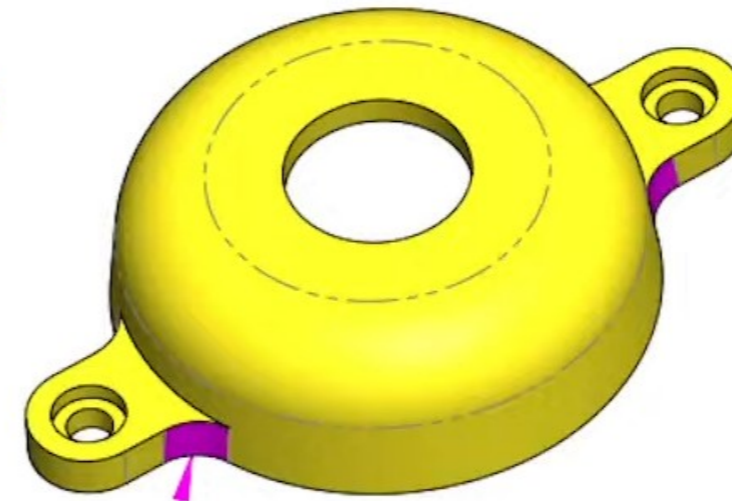
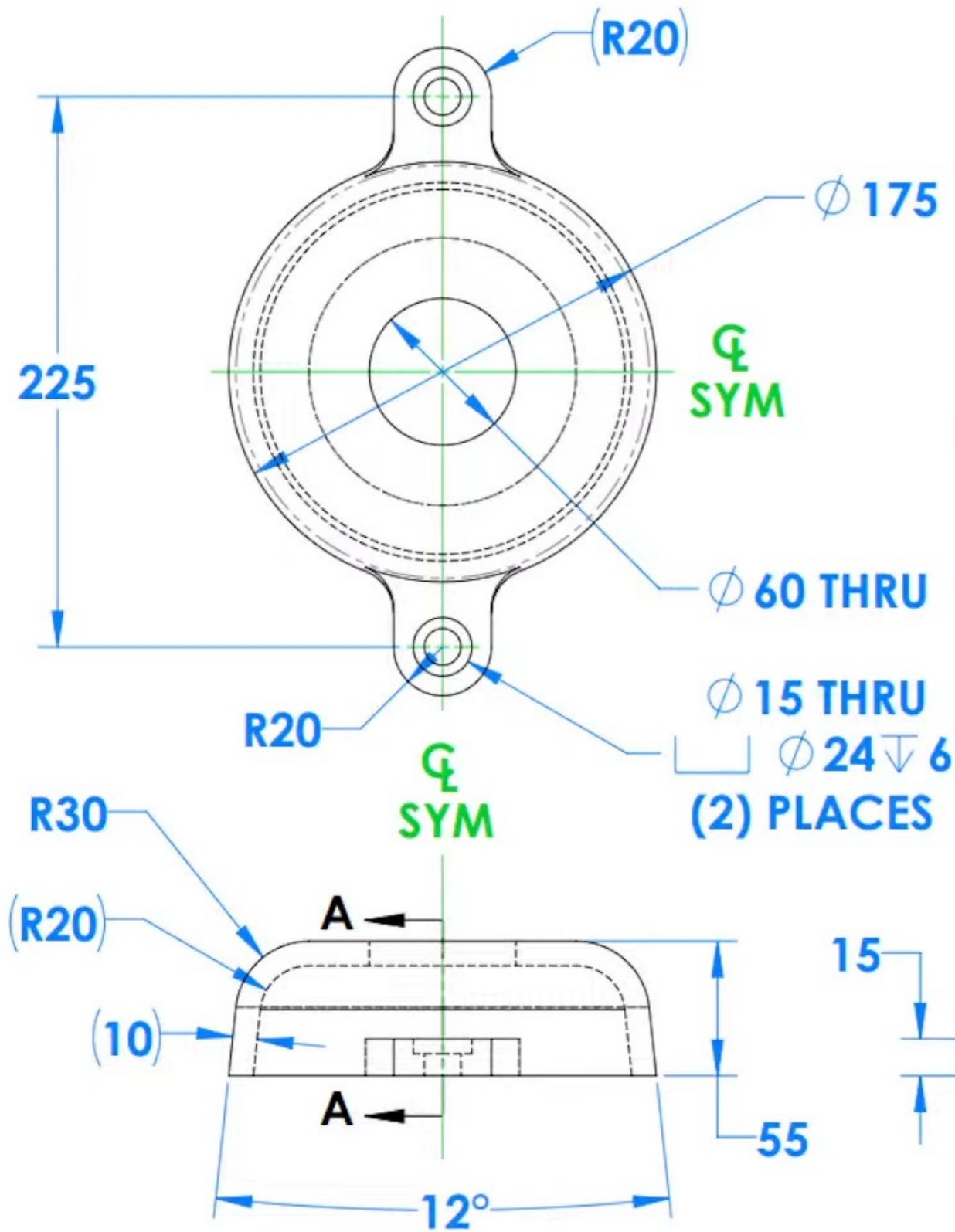


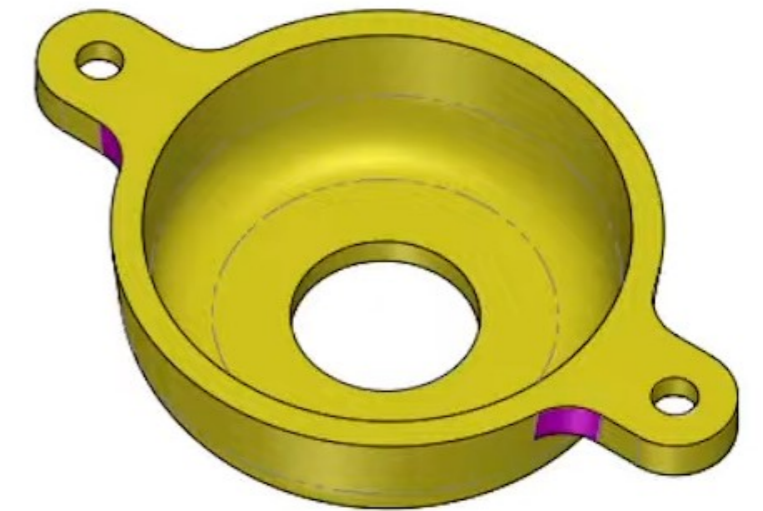
What is the MASS of this part in

421 g

TOLERANCE  $\pm 1$  g



FILLET R18  
(4) PLACES



TOO TALL TOBY'S  
**WORLD CHAMPIONSHIP**  
OF 3D CAD SPEEDMODELING

UNIT SYSTEM:	MMGS
MATERIAL:	ABS
DENSITY:	1020 kg/m <sup>3</sup>

23-T-19-CASE COVER

SECTION A-A