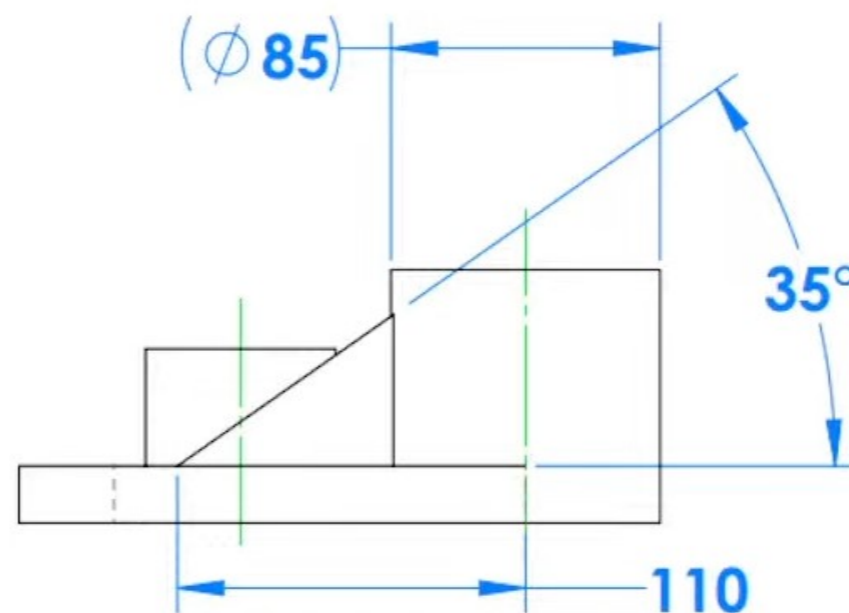
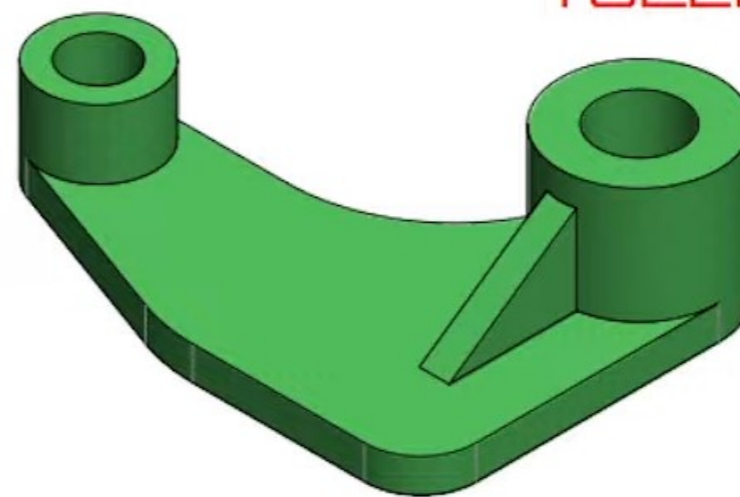


What is the MASS of this part in

2414 g

TOLERANCE  $\pm 2$  g



HIDDEN LINES REMOVED FROM THIS VIEW FOR CLARITY

TOO TALL TOEYS  
**WORLD CHAMPIONSHIP**  
 OF 3D CAD SPEEDMODELING

|              |                        |
|--------------|------------------------|
| UNIT SYSTEM: | MMGS                   |
| MATERIAL:    | 1060 ALLOY             |
| DENSITY:     | 2700 kg/m <sup>3</sup> |

**23-T-20-HOLD BRACE**