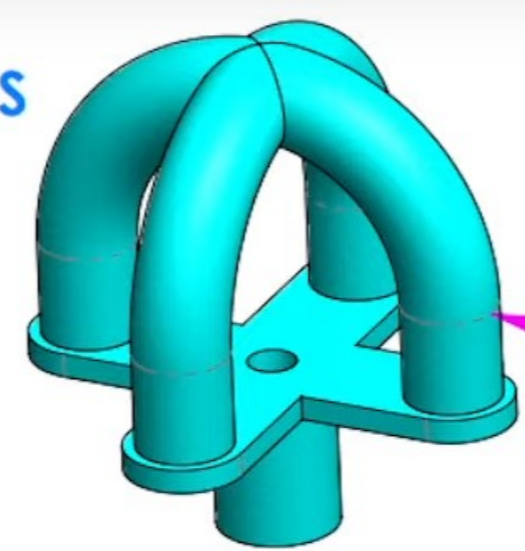
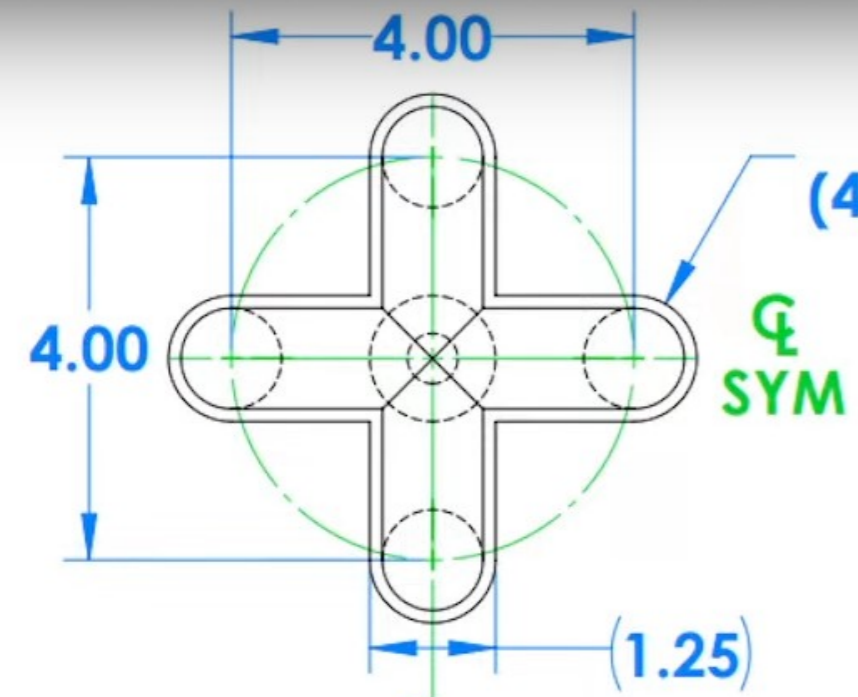


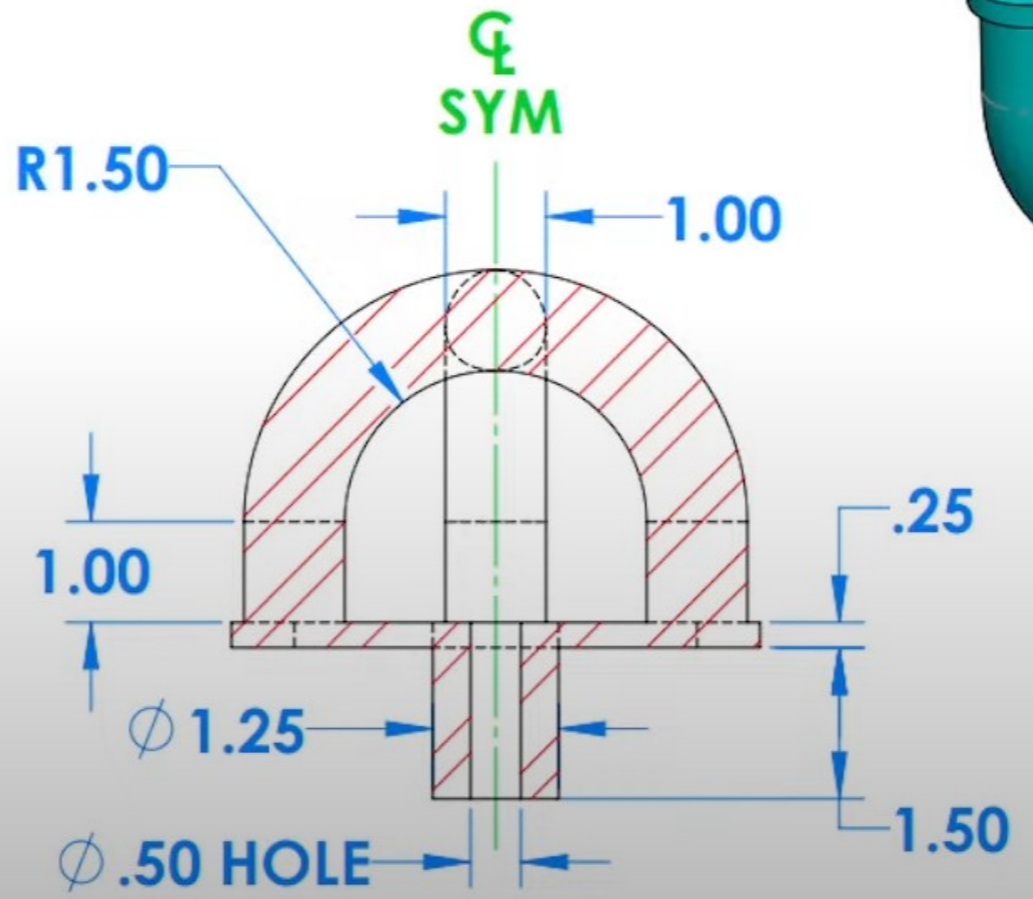
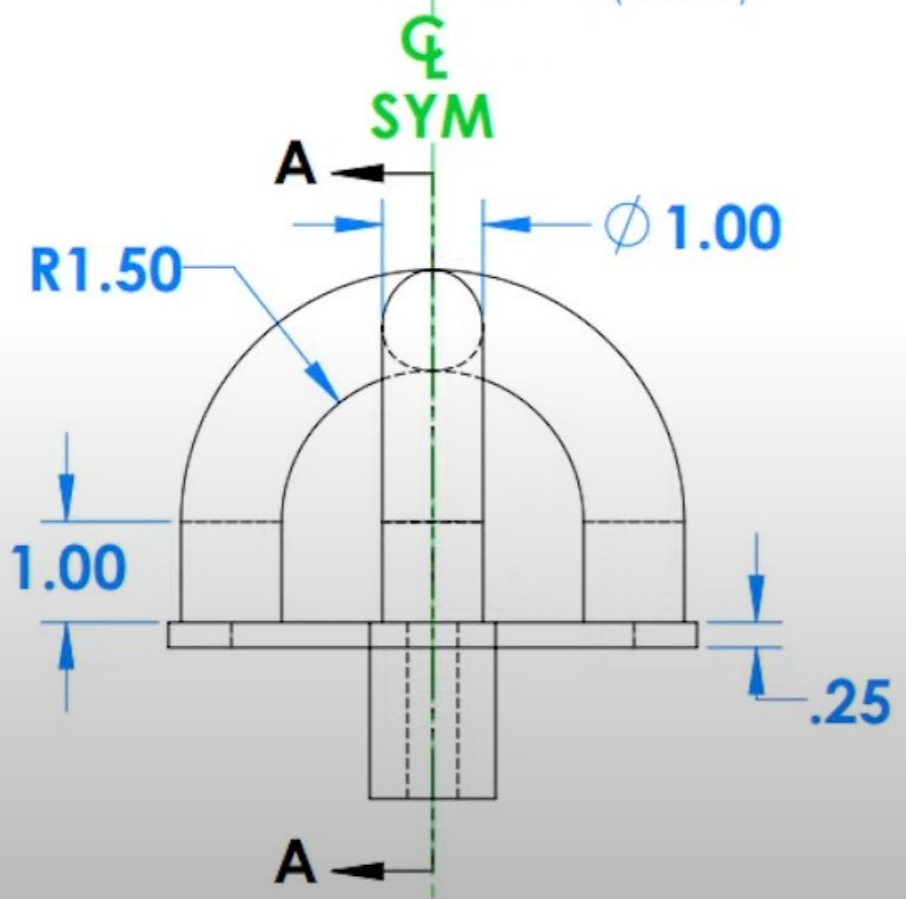
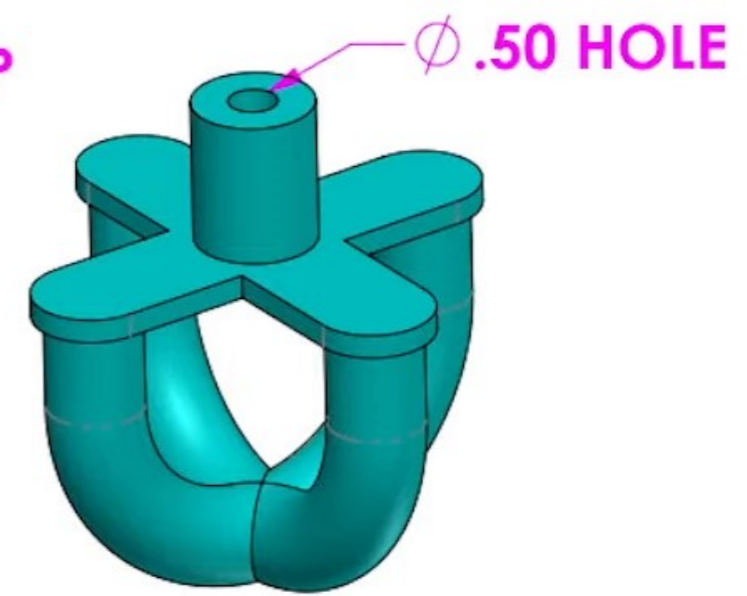
What is the MASS of this part in

4.667 lbs

TOLERANCE  $\pm 0.02$  lbs



$\phi 1.00$  TYP



SECTION A-A

TOO TALL TOBY'S  
WORLD CHAMPIONSHIP  
OF 3D CAD SPEEDMODELING

UNIT SYSTEM:	IPS
MATERIAL:	Plain Carbon Steel
DENSITY:	7800 kg/m <sup>3</sup>

23-T-21-X E PART