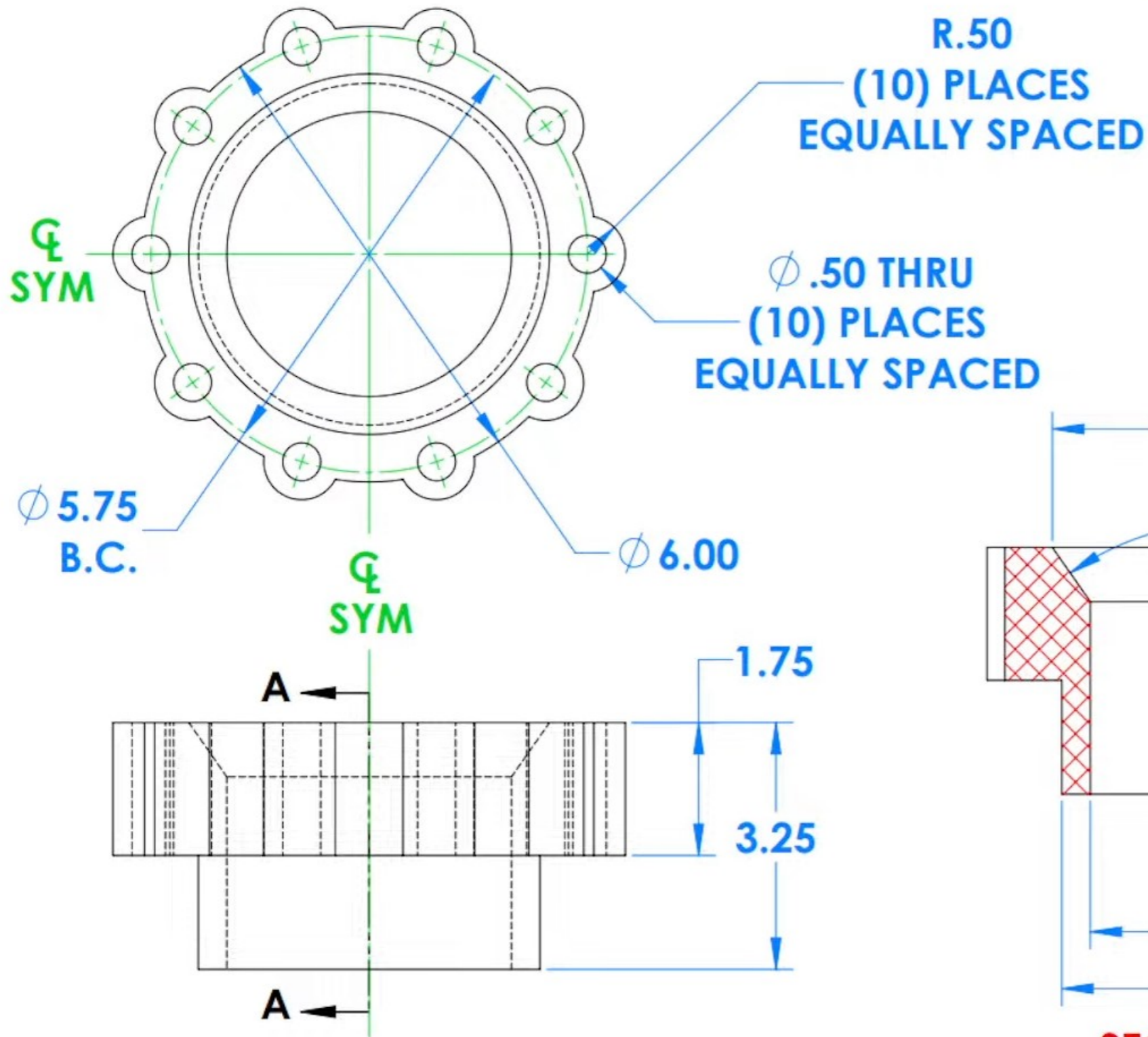


What is the MASS of this part in

1.35 lbs

TOLERANCE ± 0.01 lbs



R.50
(10) PLACES
EQUALLY SPACED

$\phi .50$ THRU
(10) PLACES
EQUALLY SPACED

ϕ SYM

$\phi 5.75$
B.C.

ϕ SYM

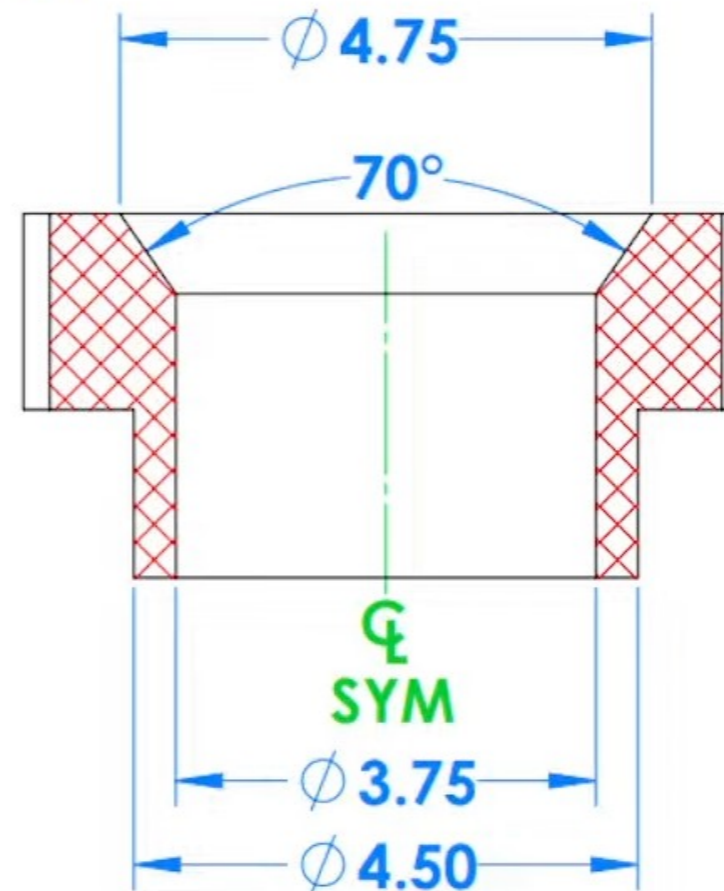
$\phi 6.00$

1.75

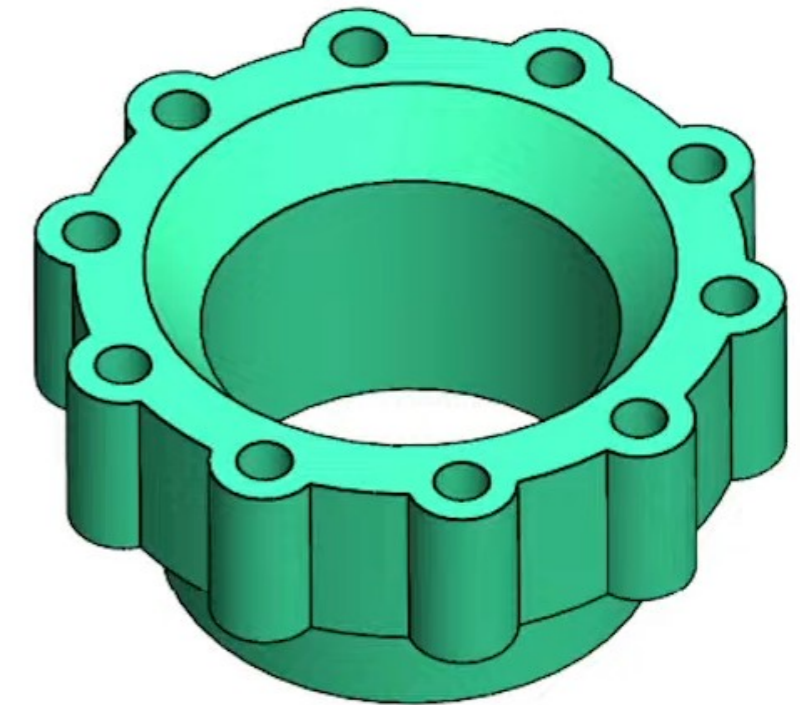
3.25

A

A



SECTION A-A



TOO TALL TOEYS
WORLD CHAMPIONSHIP
OF 3D CAD SPEEDMODELING

UNIT SYSTEM: IPS

MATERIAL: ABS

DENSITY: 1020 kg/m³

23-T-29-HOSE PORT