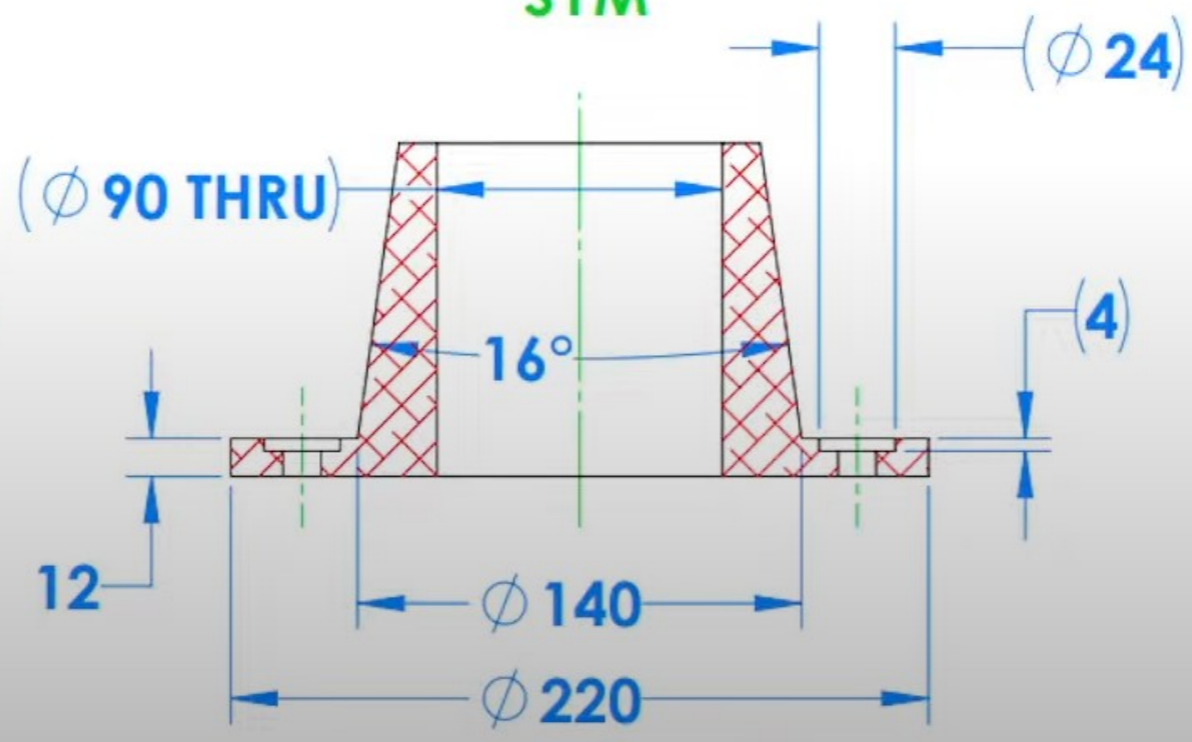
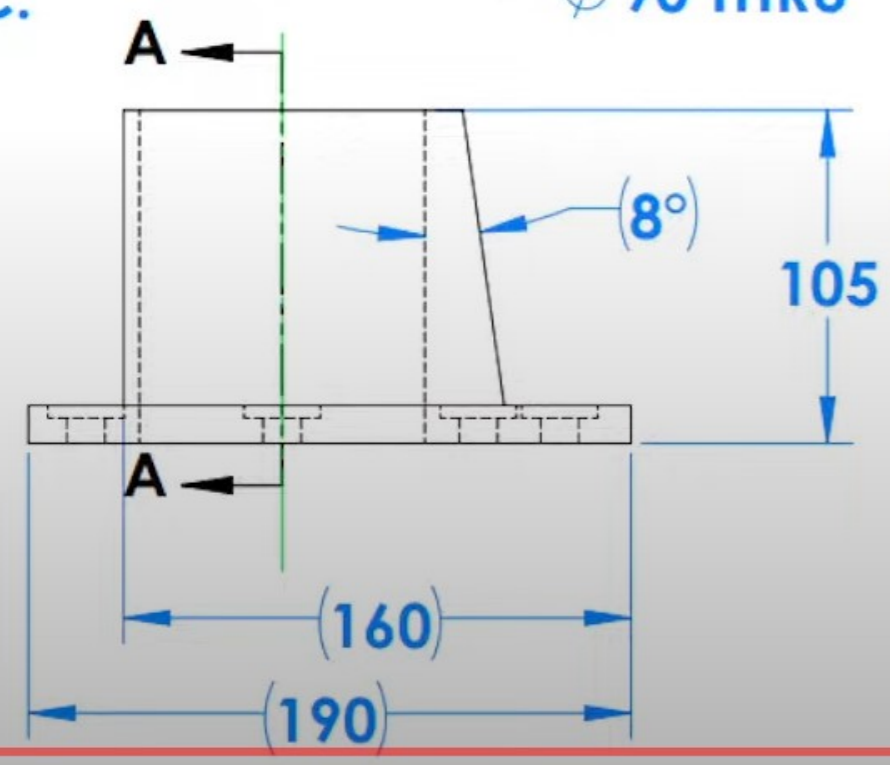
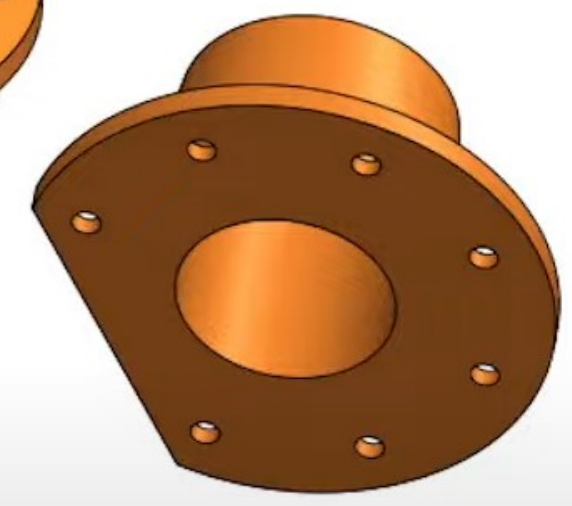
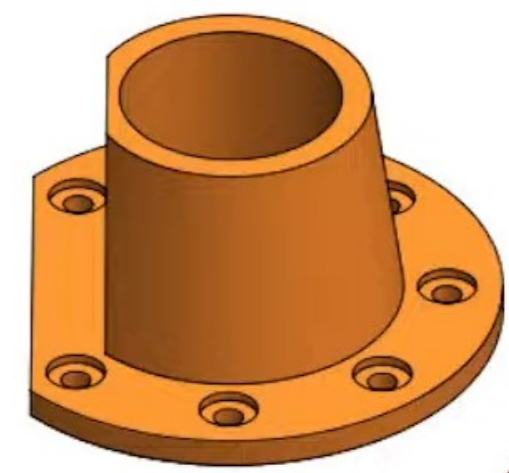
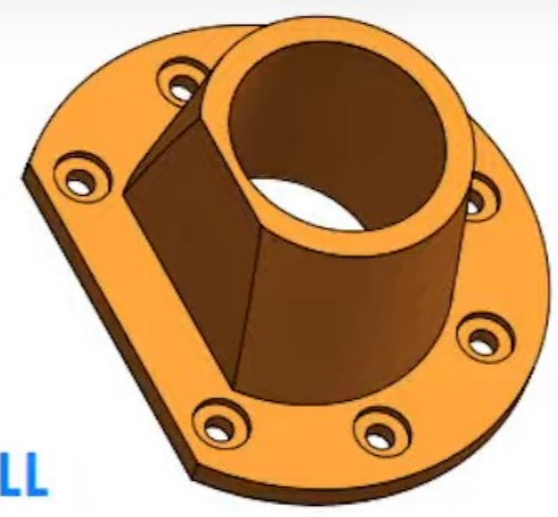
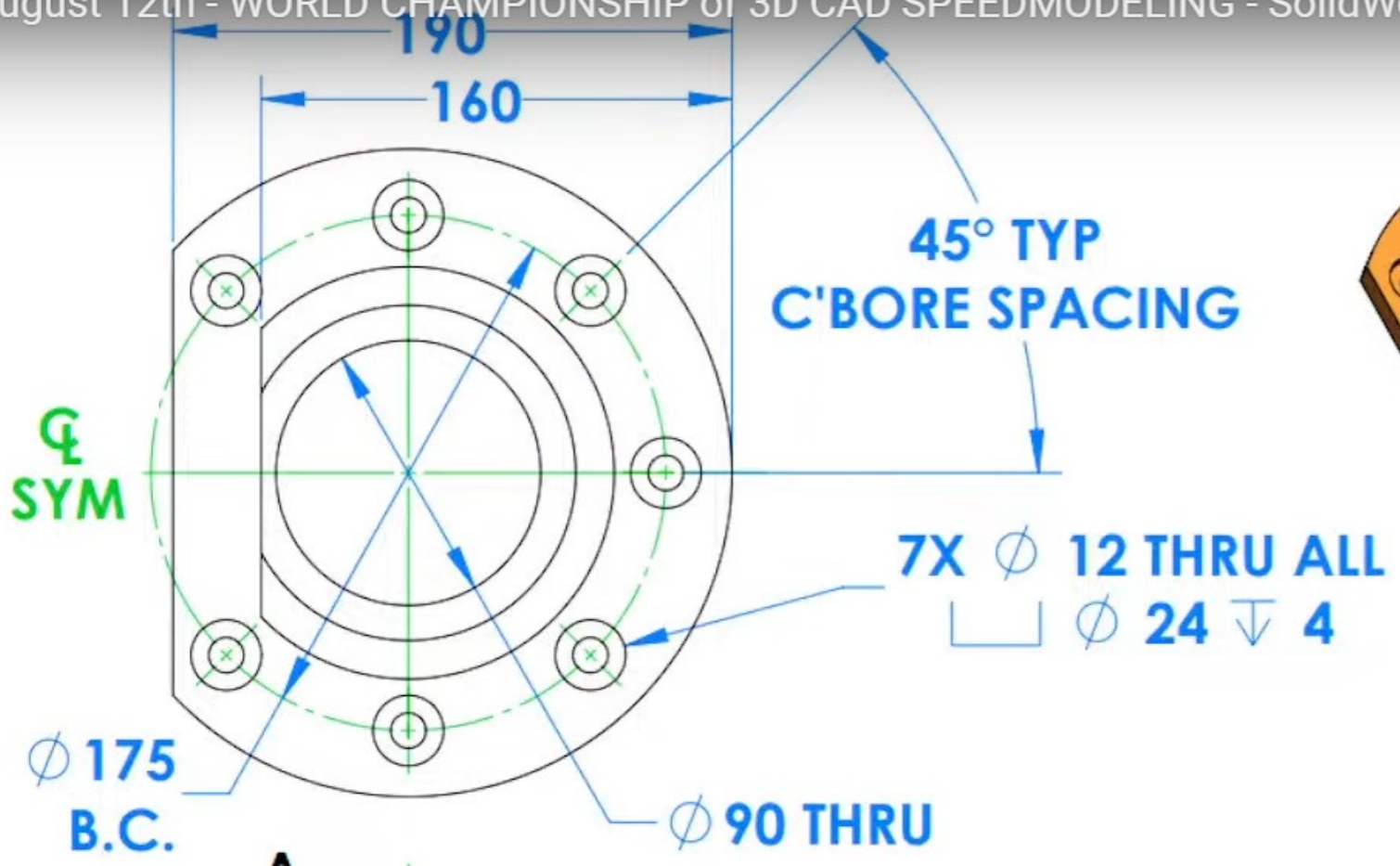


What is the MASS of this part in

2777 g

TOLERANCE  $\pm 1$  g



SECTION A-A

TOO TALL TOBY'S WORLD CHAMPIONSHIP OF 3D CAD SPEEDMODELING	
UNIT SYSTEM:	MMGS
MATERIAL:	1060 ALLOY
DENSITY:	2700 kg/m <sup>3</sup>
23-T-22-CUT FLANGE	