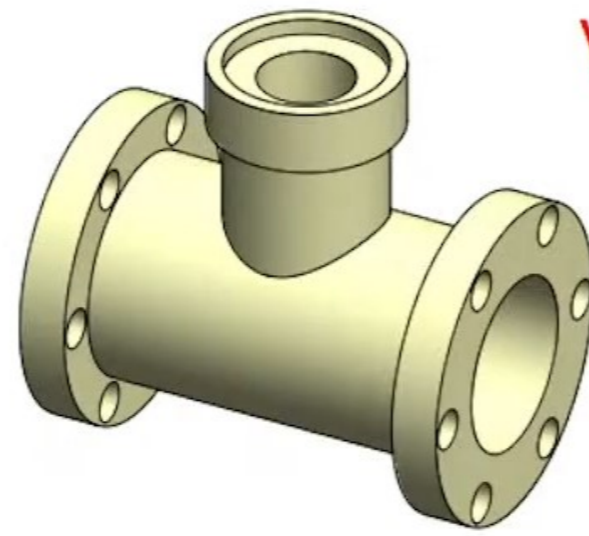
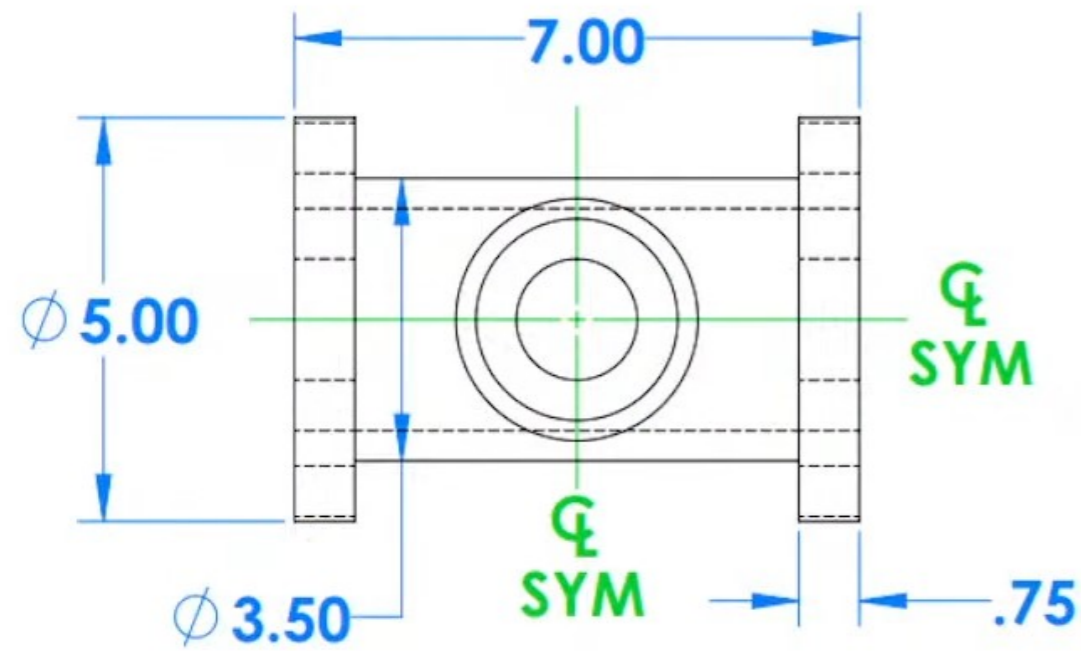
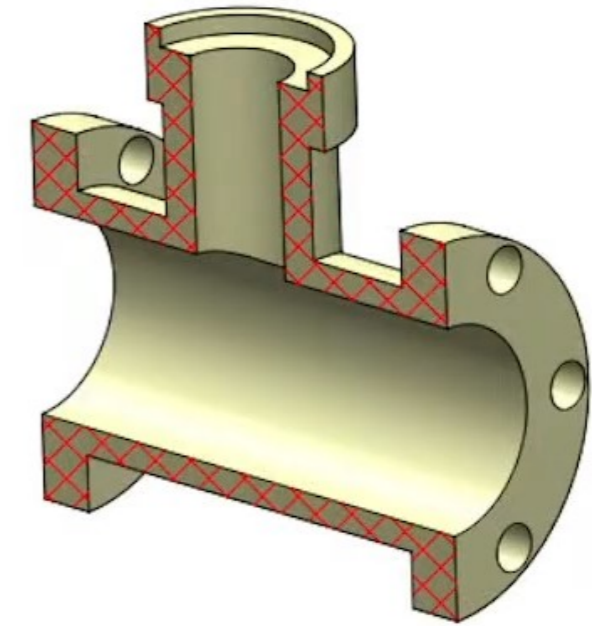
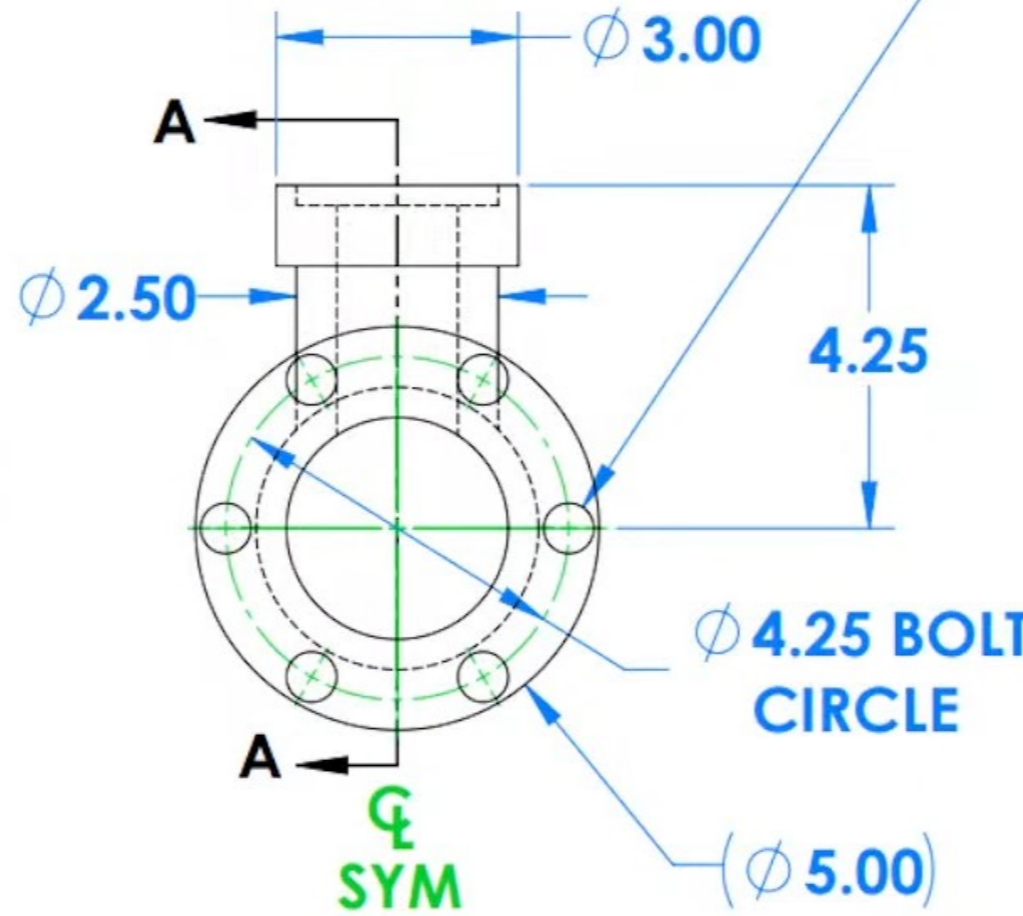
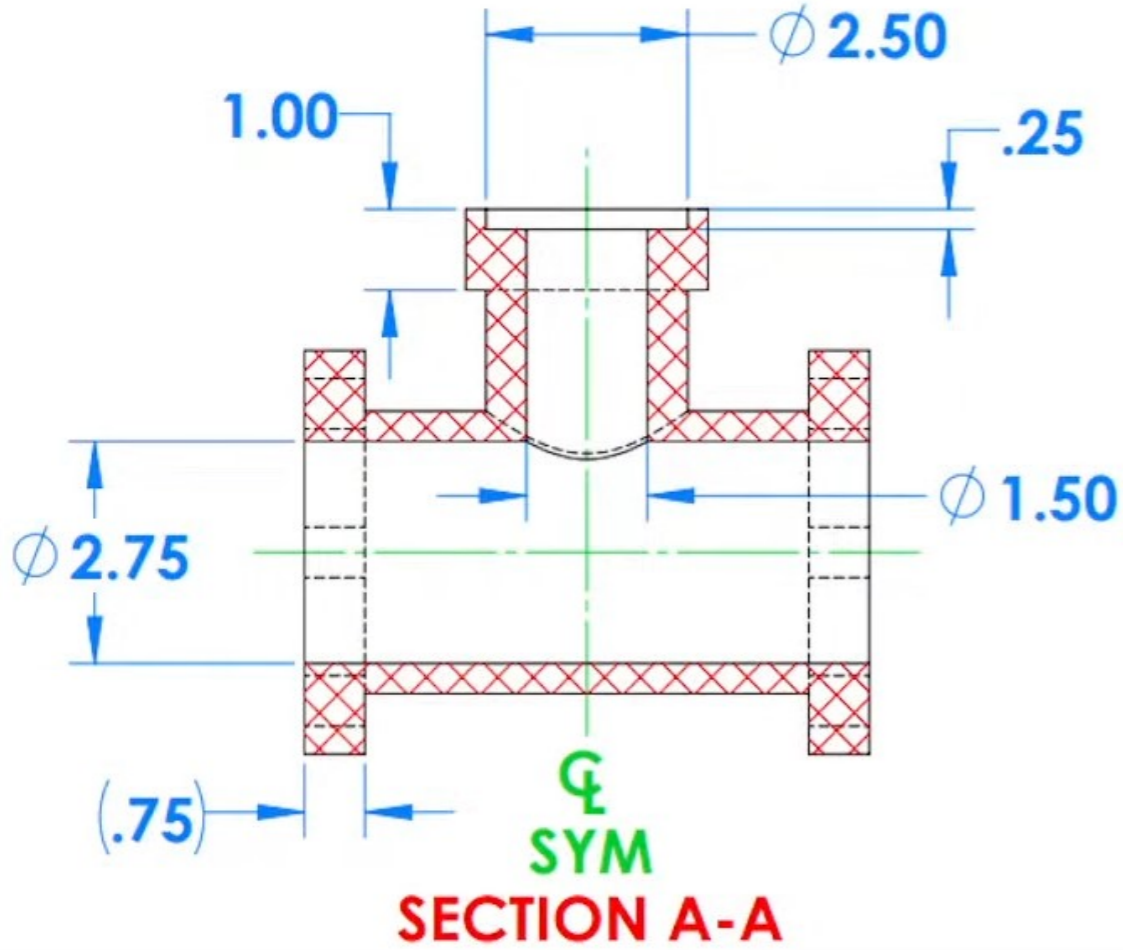


What is the MASS of this part in
X.XXX lbs? **1.735 lbs**

TOLERANCE ± 0.003 lbs



ϕ .625 THRU EACH FLANGE
(6) PLACES EQUALLY SPACED



SECTION B-B

TOO TALL TOBY'S
WORLD CHAMPIONSHIP
OF 3D CAD SPEEDMODELING

UNIT SYSTEM:	IPS
MATERIAL:	ABS
DENSITY:	1020 kg/m ³

23-T-25-PLASTIC T