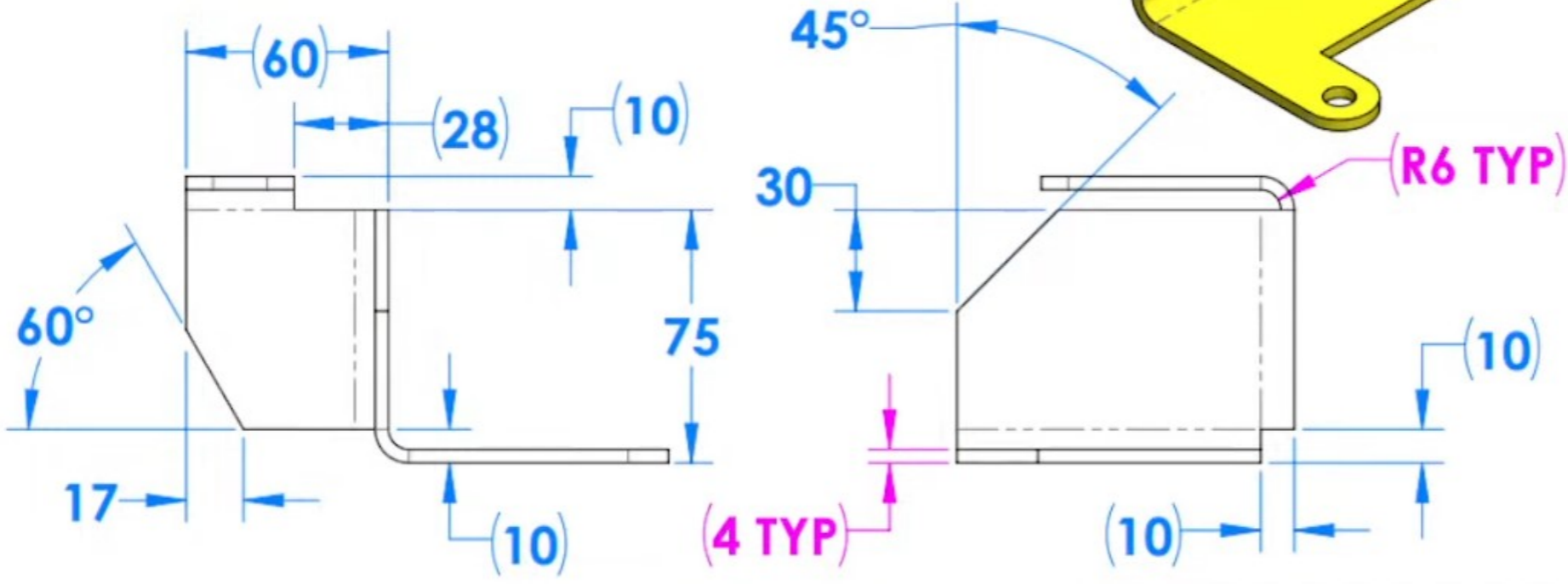
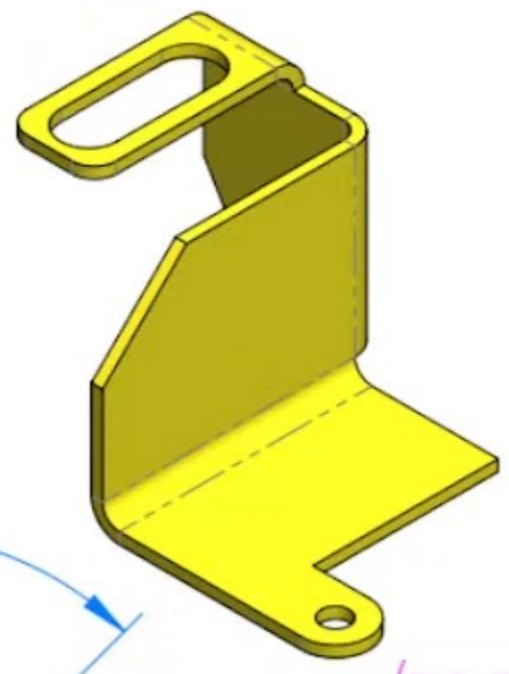
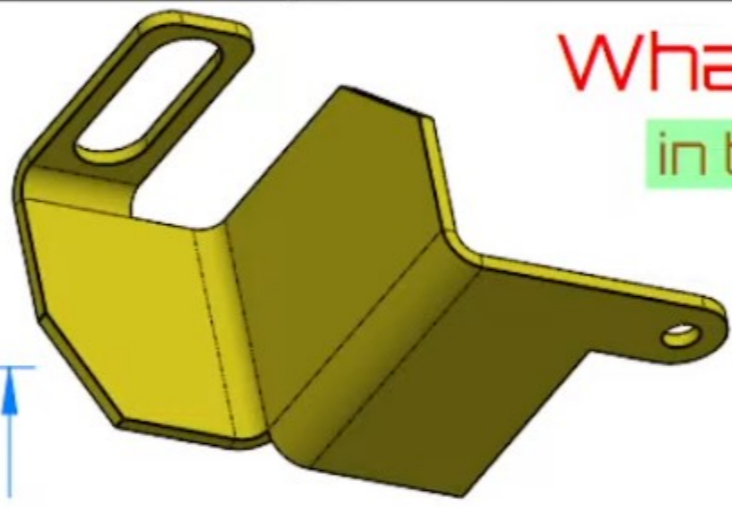
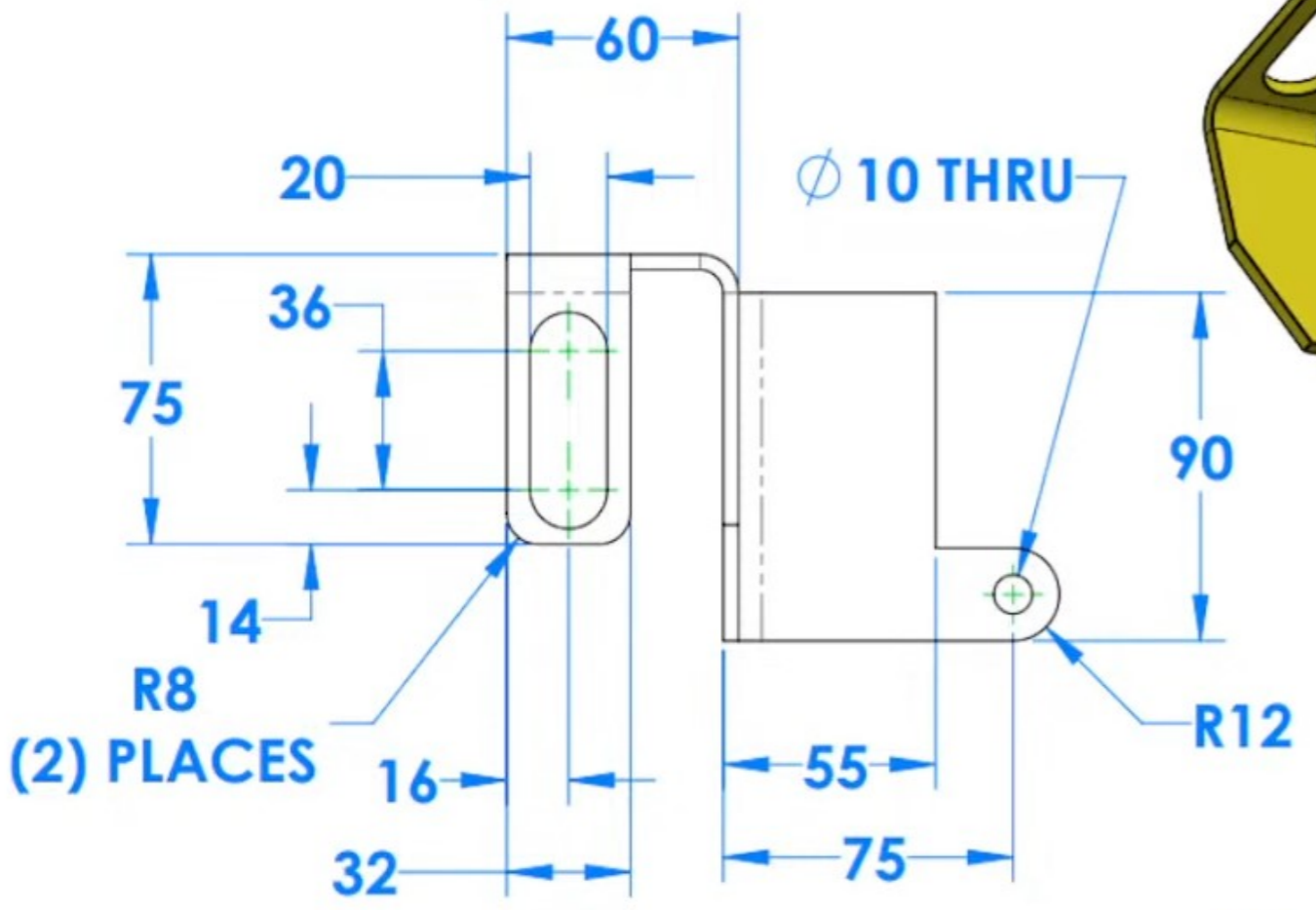
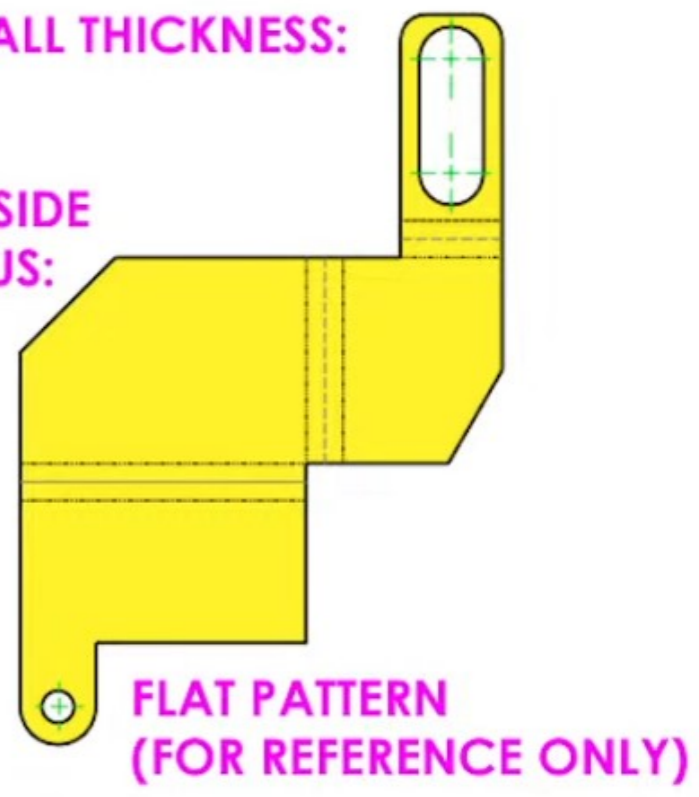


What is the MASS of this part
in the BENT STATE in XXX g?

TOLERANCE ± 1 g **513 g**

DEFAULT WALL THICKNESS:
4mm

DEFAULT INSIDE
BEND RADIUS:
R 6mm



TOO TALL TOEYS
WORLD CHAMPIONSHIP
OF 3D CAD SPEEDMODELING

UNIT SYSTEM:	MMGS
MATERIAL:	PLAIN CARBON STEEL
DENSITY:	7800 kg/m ³

23-T-28-HOOK BRACKET